

## 4" SystemOne Series

### Furniture Feed

### Floor Box

# HUBBELL

#### Features

- Furniture Feed Adjusting Mounting Cup Required For CFBS1R4xx Series Boxes
- For use with S1R4FFCVRxx Series Covers
- Provides upwards of 1.5" Post Pour Adjustment
- Includes Required Low Voltage Dividing System
- Purchased Separately

#### Ordering Information

Description	Style	UPC Number	Catalog Number
Adjusting Mounting Cup	Flush	783585546476	CFBS1R4FFCUP

#### Listings

cULus Listed

#### Specifications

Cup/Divider Materials	Thermoplastic
Fasteners	Steel
Ground Wire	#12 AW Copper

#### Performance

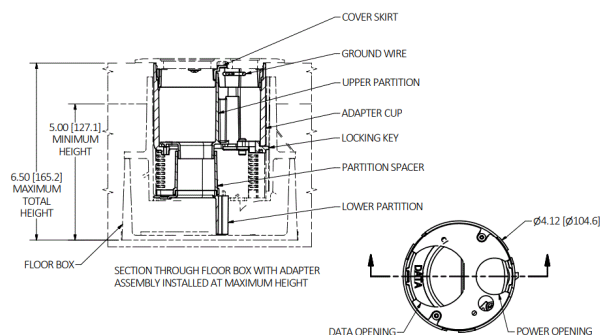
Adjustment Increments	5/32"
-----------------------	-------

#### Complementary Products

Floor Boxes	CFBS1R4PFB, CFBS1R4SFB, CFBS1R4SFBCR, CFBS1R4CFB
Furniture Feed Covers	S1R4FFCVRALU, S1R4FFCVRBLK, S1R4FFCVRBRS, S1R4FFCVRBRZ, S1R4FFCVRGRY, S1R4FFCVRNKL

#### Online Resources

Customer Use Drawing  
eCatalog  
Installation Instructions



Dimensions in Inches (mm)

Hubbell Wiring Device-Kellems • Hubbell Incorporated (Delaware) • 40 Waterview Drive • Shelton, CT 06484

Phone (800) 288-6000 • Fax (800) 255-1031 • Specifications subject to change without notice.

