

Floor Boxes

SystemOne Recessed 2 Gang Floor Box Cover

For Use In Concrete, Raised Access and Wood Floors

Features

- 180 degree cover opening to lay flat and reduce tripping hazards
- Two large hide-away cable egress doors
- Die cast aluminum cover construction for enhanced durability
- UL ScrubWater Compliant
- ADA Compliant

Ordering Information

Style	Finish	UPC	Catalog Number
Surface Cover	Aluminum	783585527819	CFBS1R6CVRAL U

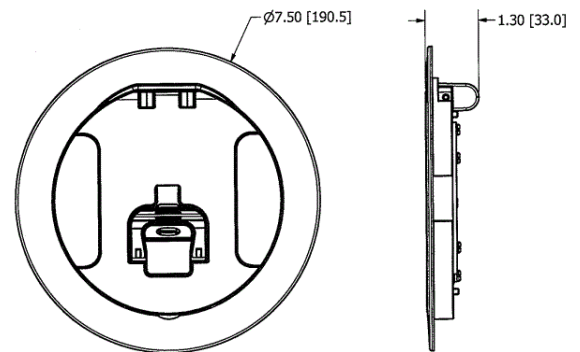
Listings

cULus Listed
Complies with UL514A Scrubwater
ADA Compliant

Specifications

Cover Material	Die cast aluminum
Flange height	0.125 in.
Adjustment Range	NA
Load Rating	1000 lbs. (w/ 2x safety factor)
Cover Finish	Aluminum powder paint

HUBBELL



Related Products

Compatible with CFB2G25R,
CFB2G25RCR, CFB2G30R &
CFB2G30RCR Series Boxes

Surface style typical applications:
Carpet, VCT

Online Resources

Customer Sales Drawings
eCatalog
Installation Instructions

Dimensions in Inches (mm)

Hubbell Wiring Device-Kellems • Hubbell Incorporated (Delaware) • 40 Waterview Drive • Shelton, CT 06484

Phone (800) 288-6000 • Fax (800) 255-1031 • Specifications subject to change without notice.

