

Floor Boxes

SystemOne Recessed 2 Gang Furniture Feed Floor Box Cover

For Use In Concrete Floors

HUBBELL

Features

- 180 degree cover opening to lay flat and reduce tripping hazards
- Die cast aluminum cover construction for enhanced durability
- One 2" and one 3/4" NPT threaded conduit hub
- ADA Compliant

Ordering Information

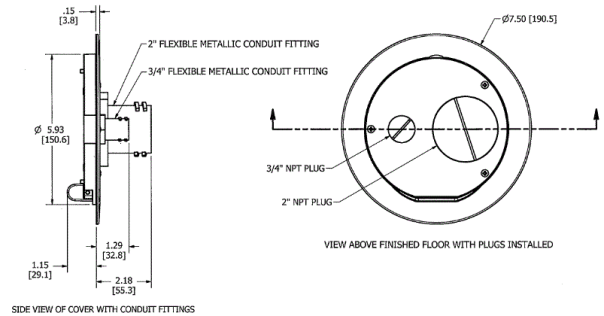
- Compatible with CFB2G25R, CFB2G25RCR, CFB2G30R and CFB2G30RCR
- Surface style typical applications: Carpet, VCT

Catalog Number CFBS1R6FFCVRBRS	UPC Number 783585527888	Style Surface	Finish Brass Plated
--	-----------------------------------	-------------------------	-------------------------------

Dimensions 7.5 in Diameter	Floor Finish Insert No
--------------------------------------	----------------------------------

Specifications

Cover Material	Aluminum
Flange height	0.125 in.
Adjustment Range	n.a.
Load Rating	1000 lbs. (w/ 2x safety factor)



Online Resources

[Customer Use Drawing](#)
[eCatalog](#)
[Installation Instructions](#)

Dimensions in Inches (mm)

Hubbell Wiring Device-Kellems • Hubbell Incorporated (Delaware) • 40 Waterview Drive • Shelton, CT 06484

Phone (800) 288-6000 • Fax (800) 255-1031 • Specifications subject to change without notice.

