

## Straight Blade Devices

15A, 125V, 2 Pole, 3 Wire Grounding

# Commercial Specification Grade Duplex Receptacles

# HUBBELL

## Features

- Fully insulated design with 8-inch solid wire leads
- Smooth face
- Triple wipe contacts

## Ordering Information

Description	Device Color	UPC Number	Catalog Number
Leaded, smooth face, self-grounding, 8" solid wire leads	White	783585146058	CR15WHIP1

## Listings

UL Listed to UL498 File No. E2186  
Certified to CSA, C22.2, No. 42  
NEMA® WD-6 Compliant

## Specifications

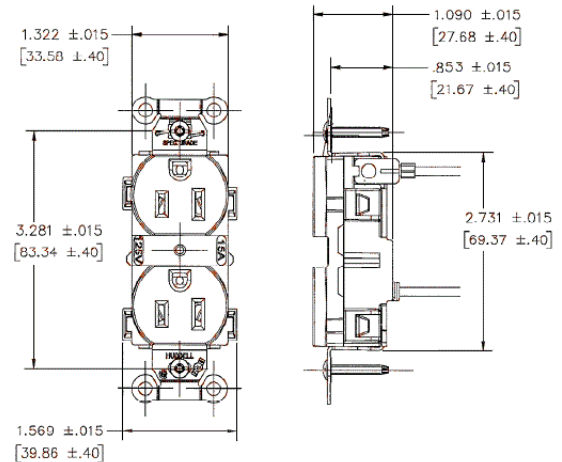
Face	Nylon
Base	Nylon
Power Contacts	.030 in. (.8) Brass
Ground Contact	.031 in. (.8) Brass
Lead Wires	#12 AWG THHN solid copper wire
Mounting Strap	.040 in. (1) Galvanized steel
Automatic Self-grounding Staple	Stainless steel
Mounting Screws	Galvanized steel

## Performance

Electrical	
Current Interrupting	Certified for current interrupting at full rated current
Dielectric Voltage	Withstands 2,000V minimum
Mechanical	
Flammability	UL 94V-2
Product Identification	Ratings are a permanent part of the device
Environmental	
Operating Temperatures	Maximum continuous 75°C; minimum -40°C (w/o impact)



15A 125V AC  
NEMA 5-15R  
UL CSA  
0.5 HP



## Complementary Products

Wallplate or Weatherproof Cover

Duplex Opening

## Online Resources

Customer Sales Drawings  
eCatalog  
Installation Instructions

Dimensions in Inches (mm)

Hubbell Wiring Device-Kellems • Hubbell Incorporated (Delaware) • 40 Waterview Drive • Shelton, CT 06484

Phone (800) 288-6000 • Fax (800) 255-1031 • Specifications subject to change without notice.

