

Straight Blade Devices

20A, 125V, 2 Pole, 3 Wire Grounding

Commercial Specification Grade Duplex Receptacles

HUBBELL

Features

- Easy access split circuit tab
- Single tab breakoff ears
- Nylon face and base for durable construction

Ordering Information

Description	Device Color	UPC Number	Catalog Number
Pre-wired, Tamper-Resistant, self-grounding, 8" solid wire leads	White	783585147802	CR20WHITRP2

Listings

UL listed to UL 498
Certified to CSA, C22.2, No. 42

Specifications

Face Material	Nylon
Base Material	Nylon
Power Contacts	.030 in. (.8) Brass
Mounting Strap	.040 in. (1) Steel (Galvanized)
Ground Contact	.031 in. (.8) Brass

Performance

Electrical	
Current Interrupting	Certified for current interrupting at full rated current
Dielectric Voltage	Withstands 2,000V minimum
Max. Working Voltage	125V
Temperature Rise	Max 30°C temperature rise at full rated current after 100 cycles of overload at 150% of rated current

Mechanical

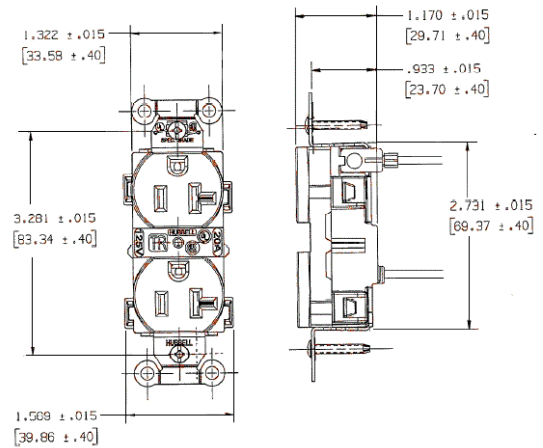
Product Identification	Ratings are a permanent part of the device
------------------------	--

Environmental

Flammability	UL 94V-2
Operating Temperatures	Maximum continuous 75°C; minimum -40°C (w/o impact)



20A 125V
NEMA 5-20R
UL CSA
1 HP



Online Resources

Customer Sales Drawings
eCatalog
Installation Instructions

Dimensions in Inches (mm)

Hubbell Wiring Device-Kellems • Hubbell Incorporated (Delaware) • 40 Waterview Drive • Shelton, CT 06484

Phone (800) 288-6000 • Fax (800) 255-1031 • Specifications subject to change without notice.

