

Twist-Lock® Devices  
 50A, 3 Phase 480V AC, 3 Pole, 4 Wire  
 Grounding  
 Flanged Inlet

# HUBBELL

## Features

- Metallic flanged casing provides maximum strength and protection
- Thermoset interior provides superior heat resistance

## Ordering Information

Description	Device Style	UPC	Catalog Number
Zinc plated steel casing, thermoset interior	Metallic	783585828602	CS8175

## Listings

Listed to UL 498  
 Certified to CSA C22.2 No.42

## Specifications

Casing	Steel, zinc plated
Terminal Retainer	Phenolic
Blades	Brass
Terminal Screws	Steel

## Performance

### Electrical

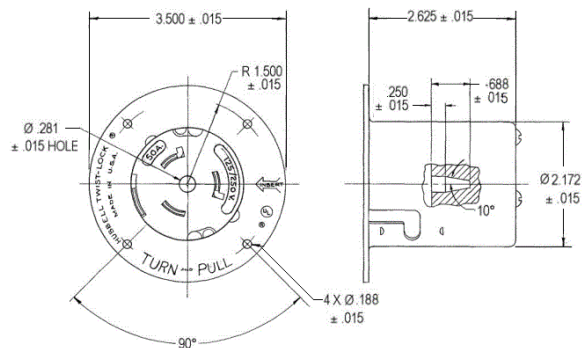
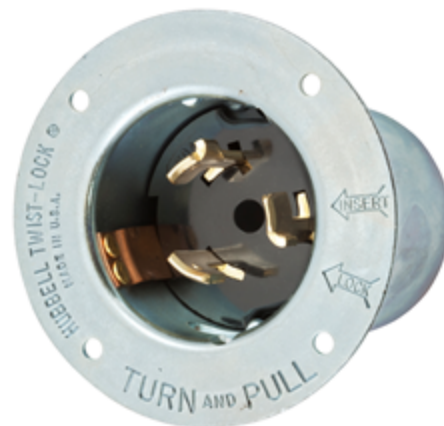
Current Interrupting Certified for current interrupting at full rated current  
 Dielectric Voltage Withstands 2,000V minimum

### Mechanical

Terminal Accommodation #10 AWG - #6 AWG solid or stranded copper wire only

### Environmental

Flammability UL 94 V0  
 Operating Temperatures Maximum continuous 75°C; minimum -40°C (w/o impact)



## Accessories

Connector	CS8164C
-----------	---------

## Resources

Customer Use Drawing  
 eCatalog

Dimensions in Inches (mm)

Hubbell Wiring Device-Kellems • Hubbell Incorporated (Delaware) • 40 Waterview Drive • Shelton, CT 06484

Phone (800) 288-6000 • Fax (800) 255-1031 • Specifications subject to change without notice.

