

Twist-Lock® Devices

50A, 3 Phase 250V AC, 3 Pole, 4 Wire Grounding

Insulgrip® Connector with conduit adapter

HUBBELL

Features

- Capable of accepting metallic or non metallic conduit fittings
- Box terminal with hex socket threaded slug, permits high clamping pressure on conductors without damaging strands
- Thermoplastic polyester interior provides heat resistance and impact strength
- Oversized contacts minimize operating temperature



Ordering Information

Description	NPT Size	UPC Number	Catalog Number
Nylon cover, thermoplastic interior	3/4"	78358558046	CS8364CA34

Listings

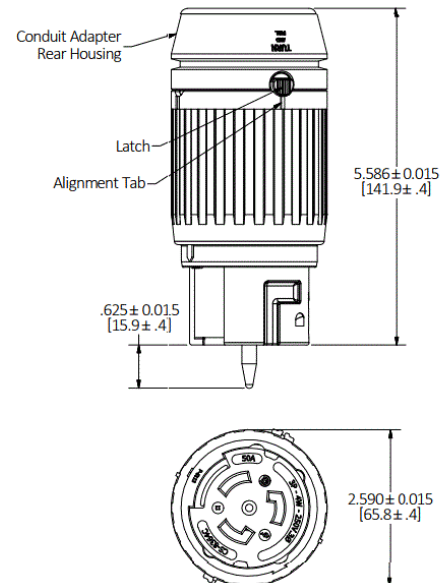
Listed to UL 498
Certified to CSA C22.2 No.42

Specifications

Housing	Nylon
Terminal Retainer	Thermoplastic polyester
Contacts	Brass
Terminal Screws	Stainless Steel

Performance

Electrical	
Current Interrupting	Certified for current interrupting at full rated current
Dielectric voltage	2,000V minimum
Environmental	
Flammability	HB or better
Operating Temperatures	Maximum Continuous 75C Minimum -40C (w/o impact)
Mechanical	
Terminal Accommodation	#8 - #4 AWG stranded copper wire only



Complementary Products

Conduit Fitting	H0751 (3/4")
-----------------	--------------

Online Resources

eCatalog

Dimensions in Inches (mm)

Hubbell Wiring Device-Kellems • Hubbell Incorporated (Delaware) • 40 Waterview Drive • Shelton, CT 06484

Phone (800) 288-6000 • Fax (800) 255-1031 • Specifications subject to change without notice.

