

Switches, Low Voltage

5A, 24VDC

Heavy Duty, Specification Grade

HUBBELL

Features

- Maintained Contact
- Thread cleaning captive mounting screw
- Automatic self-grounding stainless steel staple

Ordering Information

Description	Device Color	UPC Number	Catalog Number
Toggle, back and side wired	Light Almond	783585554815	CSB120LALV

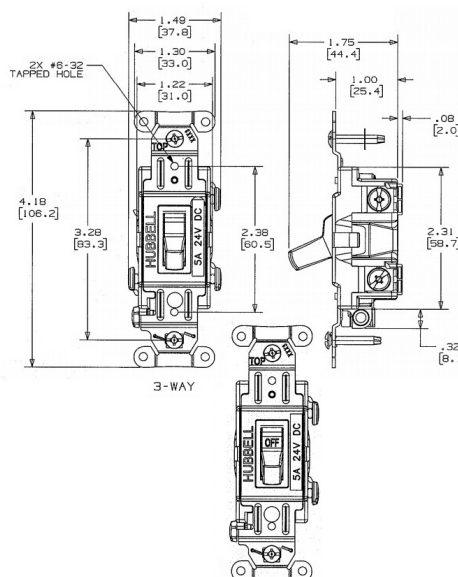


Specifications

Front	Thermoplastic
Base	Thermoplastic
Contacts	Silver Alloy
Terminal Screws	Brass
Mounting Bridge	Steel, Zinc Plated

Performance

Electrical	
Configuration	3-Way
Operating Current	Maximum of 5A @ 24VDC
Mechanical	
Terminal Accomodations	#14 AWG min. - #10 AWG max. solid or stranded copper wire only
Environmental	
Operating Temperature	Max. continuous: 75°C; Min. continuous: -40°C without impact



Complementary Products

Wallplate, Toggle Opening, Snap-on	NPS1LA
Wallplate, Toggle Opening	NP1LA
Wallplate, Toggle Opening, Stainless Steel	SS1

Online Resources

Customer Use Drawing
eCatalog
Installation Instructions

Dimensions in Inches (mm)

Hubbell Wiring Device-Kellems • Hubbell Incorporated (Delaware) • 40 Waterview Drive • Shelton, CT 06484

Phone (800) 288-6000 • Fax (800) 255-1031 • Specifications subject to change without notice.

