

Switches, Three Way  
15A, 120-277V AC

Pre-Wired Specification Grade Commercial  
Toggle Switch

# HUBBELL

**Features**

- Labor Saving
- Thread cleaning captive mounting screw
- Abuse resistant nylon toggle

**Ordering Information**

Description	Toggle Color	UPC	Catalog Number
Toggle, Nylon, Pre-wired leads	Almond	783585187525	CSL315AL

**Listings**

UL Listed  
CSA Certified  
Fed. Spec. W-S-896

**Specifications**

Top Material	Thermoplastic, Gray
Base Material	Thermoset, Gray
Toggle Material	Nylon
Contacts	Silver Alloy
Terminal Screws	Brass
Auto Grounding Mounting Bridge	Zinc Plated Steel
Lead Type	#12 AWG THHN, 8" Length

**Performance**

**Electrical**

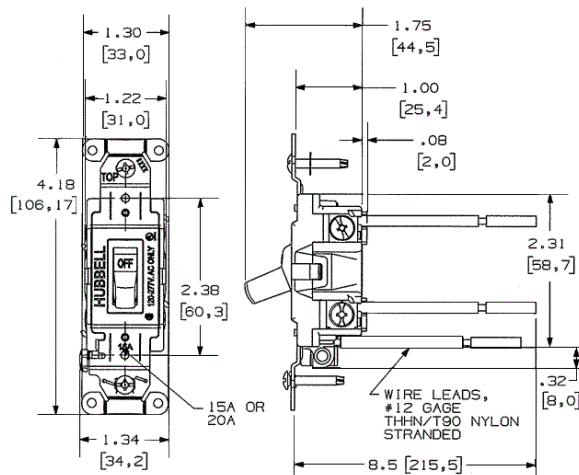
Dielectric Voltage	Withstands 1500V AC minimum for 1 minute
Max. Continuous Current	15A
Max. Working Voltage	277V AC
Overload	Minimum 4.8 times rated current for 100 cycles
Temperature Rise	30°C maximum at rated current

**Mechanical**

Terminal Accommodations #14 AWG min. - #10 AWG max. solid and stranded copper wire only

**Environmental**

Flammability	UL 94V-2
Operating Temperature	Max. continuous: 75°C; Min. continuous: -40°C without impact



**Online Resources**

Customer Use Drawing  
eCatalog  
Installation Instructions

Dimensions in Inches (mm)

Hubbell Wiring Device-Kellems • Hubbell Incorporated (Delaware) • 40 Waterview Drive • Shelton, CT 06484

Phone (800) 288-6000 • Fax (800) 255-1031 • Specifications subject to change without notice.

