

Energy Efficiency Controls
UL924 Compliant Control Unit
0-10V Dimming Compatible



Features

- Compatible with Load:Logic Room Controller
- Compatible with Load:Logic Control Panel
- Compatible with Hubbell CU300 Series Control Units

Ordering Information

Description	Device Color	UPC Number	Catalog Number
Control Unit for Emergency Lighting Circuits	Black	783585564913	CU300ELC



Listings

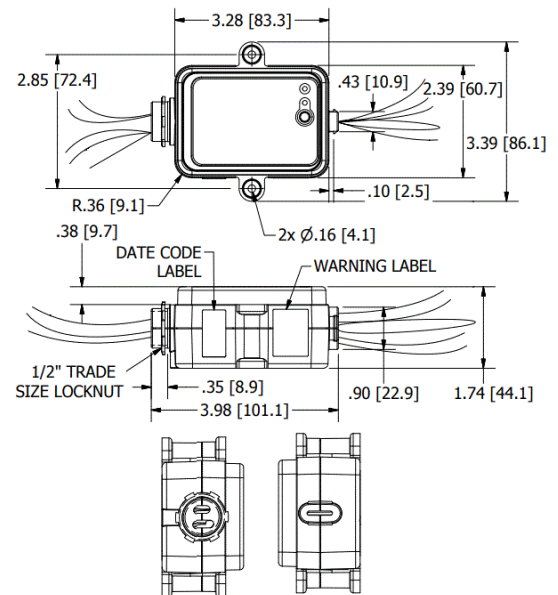
cULus
 UL924
 UL2043

Specifications

Housing	Flame retardant thermoplastic
Dimensions	4.00" L x 3.4" W x 1.73" H

Performance

Electrical	
Load Capacity	20A
Motor load	1HP @ 120V AC
Operating Voltage	100-277V AC
Environmental	
Flamability	UL 94-5VA
Operating Location	Indoor Use Only
Operating Temperature	32°F to 104°F (0°C to 40°C); 0-90% non-condensing relative humidity.



Complementary Products

Control Unit	CU300HD
Occupancy Sensor	ATD2000CRP
24VDC Mom Switch/ 0-10V Dimmer	DSM010W

Online Resources

- Customer Use Drawing
- eCatalog
- Installation Instructions

Dimensions in Inches (mm)

Hubbell Wiring Device-Kellems • Hubbell Incorporated (Delaware) • 40 Waterview Drive • Shelton, CT 06484

Phone (800) 288-6000 • Fax (800) 255-1031 • Specifications subject to change without notice.

