

Marine Wiring Products
100A Pin and Sleeve Cable Sets
125/250V AC

HUBBELL

Features

- Factory assembled
- Rugged, watertight and corrosion resistant
- 100% inspection to ensure quality performance

Ordering Information

| Description | Color | UPC | Catalog Number |
|---|-------|--------------|----------------|
| White 100 ft. (30.4m) corrosion-resistant one-ended (male only) power supply cable, 105°C rated, #2 AWG, (no neutral) STOW cable with male plug only; for use with boats with isolation transformer on | White | 783585147994 | CW100IT4W |

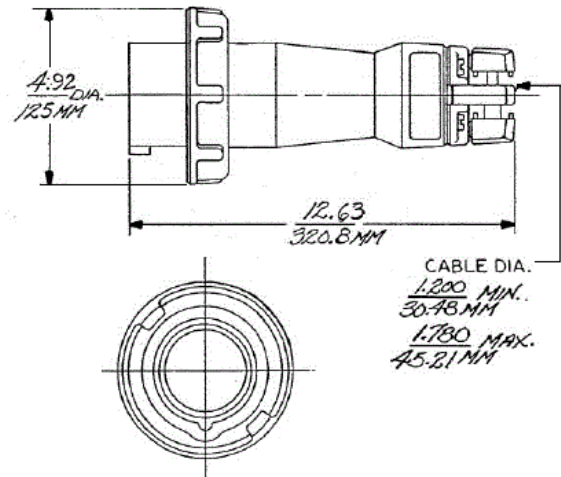


Listings

UL Listed

Performance

| Environmental | |
|---------------------|------------------|
| Moisture Resistance | IP56 Suitability |



Online Resources

Customer Sales Drawings
eCatalog
Installation Instructions

Dimensions in Inches (mm)

Hubbell Wiring Device-Kellems • Hubbell Incorporated (Delaware) • 40 Waterview Drive • Shelton, CT 06484

Phone (800) 288-6000 • Fax (800) 255-1031 • Specifications subject to change without notice.

