

## Nightlight Products

### 15A, 125V, 2 Pole, 3 Wire Grounding

#### Commercial Specification Grade Style Line® Decorator Nightlight Receptacle

#### Features

- LED light activated when low levels of ambient light are detected by photosensor
- Tamper-resistant shutter complies with national electrical code
- Aesthetic Style Line® decorator design

#### Ordering Information

Description	Device Color	UPC	Catalog Number
Style Line® decorator nightlight receptacle, back and side wired	Ivory	783585541310	DR15NLIV

#### Listings

UL Listed to UL498 File No. E2186  
Certified to CSA, C22.2, No. 42  
NEMA® WD-6 Compliant

#### Specifications

Face	Nylon
Base	Nylon
Lens	Polycarbonate
Power Contacts	.030 in. (.8) Brass
Mounting Strap	Galvanized Steel
Terminal Screws	Plated Steel
Automatic Self-grounding Staple	Stainless steel
Mounting Screws	Zinc Plated Steel
Wire Clamp	.062 in. (1.6) Nickel plated steel

#### Performance

##### Electrical

Color Temperature	3400K - 3600K
Dielectric Voltage	Withstands 2,000V minimum
LED Energy Consumed	0.5 watt
Light Output	0.5 Lumens
Rating	15A, 125VAC Only

##### Mechanical

Product Identification	Ratings are a permanent part of the device
Terminal Accommodation	#14-#10 AWG copper stranded or solid conductor only
Terminal Identification	Terminals identified in accordance with UL 498 and CSA

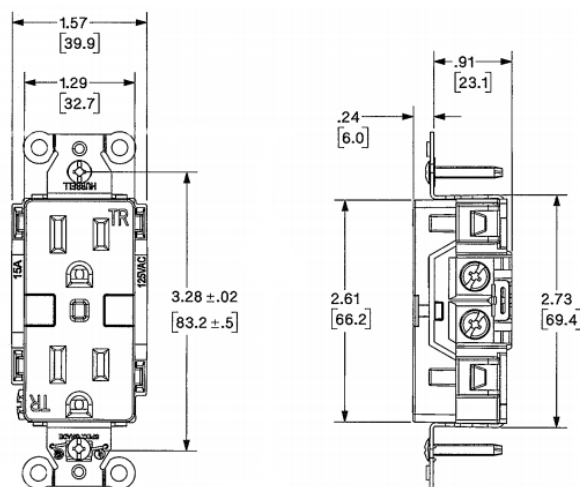
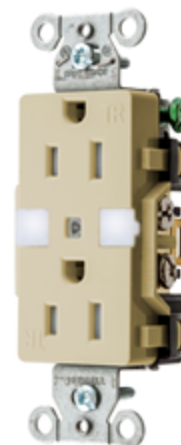
##### Environmental

Flammability	UL 94 V-2
Operating Temperatures	Maximum continuous 75°C; minimum -40°C (w/o impact)

# HUBBELL



15A 125V AC  
NEMA 5-15R  
UL CSA  
0.5 HP



#### Online Resources

Customer Use Drawing  
eCatalog  
Installation Instructions

Dimensions in Inches (mm)

Hubbell Wiring Device-Kellems • Hubbell Incorporated (Delaware) • 40 Waterview Drive • Shelton, CT 06484

Phone (800) 288-6000 • Fax (800) 255-1031 • Specifications subject to change without notice.

