

## Switches, Low Voltage

5A, 24VDC

## Style Line<sup>®</sup> Specification Grade

# HUBBELL

### Features

- Maintained Contact
- Thread cleaning captive mounting screw
- Automatic self-grounding stainless steel staple

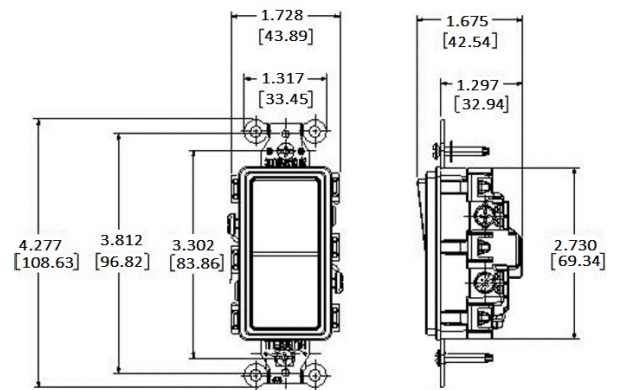
### Ordering Information

Description	Device Color	UPC Number	Catalog Number
Rocker, back and side wired	Brown	783585565286	DS120LV



### Specifications

Front	Thermoplastic
Base	Thermoplastic
Contacts	Silver Alloy
Terminal Screws	Brass
Mounting Bridge	Steel, Zinc Plated



### Performance

#### Electrical

Configuration	Single Pole
Operating Current	Maximum of 5A @ 24VDC

#### Mechanical

Terminal Accomodations	#14 AWG min. - #10 AWG max. solid or stranded copper wire only
------------------------	--

#### Environmental

Operating Temperature	Max. continuous: 75°C; Min. continuous: -40°C without impact
-----------------------	--

### Complementary Products

Wallplate, Decorator Opening	NP26
Wallplate, Decorator Opening, Stainless Steel	SS26

### Online Resources

eCatalog

Dimensions in Inches (mm)

Hubbell Wiring Device-Kellems • Hubbell Incorporated (Delaware) • 40 Waterview Drive • Shelton, CT 06484

Phone (800) 288-6000 • Fax (800) 255-1031 • Specifications subject to change without notice.

