

Nightlight Products

Single Pole 20A, 120VAC

Style Line® Decorator Series Specification Grade Nightlight Switches

Features

- LED light activated when low levels of ambient light are detected by photosensor
- Optimal lens size for greater illumination
- Impact resistant thermoplastic rocker

Ordering Information

Description	Device Color	UPC	Catalog Number
Style Line® decorator nightlight switch, back and side wired	Ivory	783585186849	DS120NLIV

Listings

UL Listed
CSA Certified

Specifications

Rocker Material	Thermoplastic
Lens	Polycarbonate
Base	Thermoplastic
Contacts	Brass Alloy
Mounting Strap	Zinc Plated Steel
Terminal Screws	Plated Steel
Automatic Self-grounding Staple	Stainless steel
Mounting Screws	Zinc Plated Steel

Performance

Electrical	
Color Temperature	3400K - 3600K
Dielectric Voltage	Withstands 1500V AC minimum for 1 minute
LED Energy Consumed	0.5 watt
Light Output	0.5 Lumens
Load Capacity	20A, 120VAC
Overload	Minimum 4.8 times rated current for 100 cycles
Temperature Rise	30°C maximum at rated current

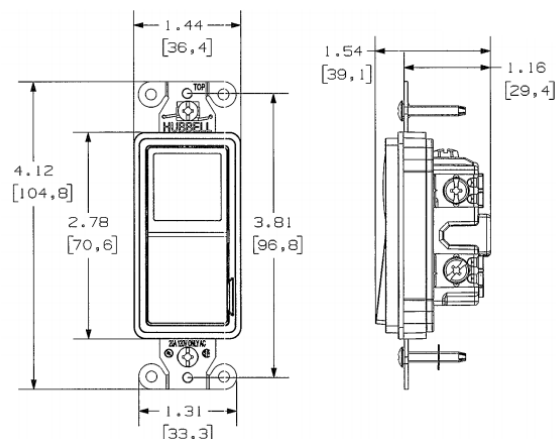
Mechanical

Terminal Accommodations #14-#10 AWG copper stranded or solid conductor only

Environmental

Flammability	UL 94V-2
Operating Temperature	Max. continuous: 75°C; Min. continuous: -40°C without impact

HUBBELL



Online Resources

Customer Use Drawing
eCatalog
Installation Instructions

Dimensions in Inches (mm)

Hubbell Wiring Device-Kellems • Hubbell Incorporated (Delaware) • 40 Waterview Drive • Shelton, CT 06484

Phone (800) 288-6000 • Fax (800) 255-1031 • Specifications subject to change without notice.

