

## Switches, Low Voltage

5A, 24VDC

## Style Line<sup>®</sup> Specification Grade

# HUBBELL

### Features

- Maintained Contact
- Thread cleaning captive mounting screw
- Automatic self-grounding stainless steel staple

### Ordering Information

| Description                 | Device Color | UPC Number   | Catalog Number |
|-----------------------------|--------------|--------------|----------------|
| Rocker, back and side wired | Ivory        | 783585565385 | DS320ILV       |

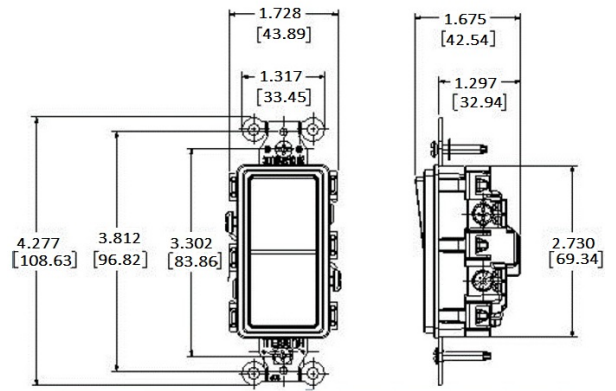


### Specifications

|                 |                    |
|-----------------|--------------------|
| Front           | Thermoplastic      |
| Base            | Thermoplastic      |
| Contacts        | Silver Alloy       |
| Terminal Screws | Brass              |
| Mounting Bridge | Steel, Zinc Plated |

### Performance

| Electrical             |  |
|------------------------|--|
| Configuration          | 3-Way  |
| Operating Current      | Maximum of 5A @ 24VDC  |
| Mechanical             |  |
| Terminal Accomodations | #14 AWG min. - #10 AWG max. solid or stranded copper wire only |
| Environmental          |  |
| Operating Temperature  | Max. continuous: 75°C; Min. continuous: -40°C without impact   |



### Complementary Products

|   |        |
|---|--------|
| Wallplate, Decorator Opening, Snap-on         | NPS26I |
| Wallplate, Decorator Opening                  | NP26I  |
| Wallplate, Decorator Opening, Stainless Steel | SS26   |

### Online Resources

eCatalog

Dimensions in Inches (mm)

Hubbell Wiring Device-Kellems • Hubbell Incorporated (Delaware) • 40 Waterview Drive • Shelton, CT 06484

Phone (800) 288-6000 • Fax (800) 255-1031 • Specifications subject to change without notice.

