

Floor Boxes

SystemOne 10- Gang Floor Box Plate

Double Gang Plate

HUBBELL

Features

- Opening for simplex device or 20A Twist-Lock

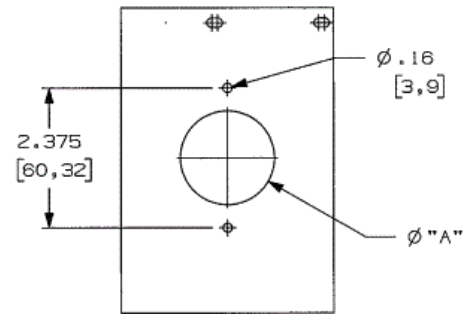
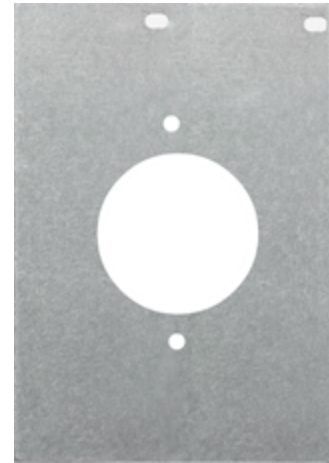
Ordering Information

- Includes necessary mounting hardware

Catalog Number	UPC
FB10TLA	783585191720

Specifications

Face Plate	16 gauge zinc plated stamped steel
------------	------------------------------------



Online Resources

[Customer Use Drawing](#)
[eCatalog](#)
[Installation Instructions](#)

Dimensions in Inches (mm)

Hubbell Wiring Device-Kellems • Hubbell Incorporated (Delaware) • 40 Waterview Drive • Shelton, CT 06484

Phone (800) 288-6000 • Fax (800) 255-1031 • Specifications subject to change without notice.

