

# Floor Boxes

## SystemOne 10- Gang Floor Box Plate

### Double Gang Plate

# HUBBELL

### Features

- Opening for 30A Twist-Lock

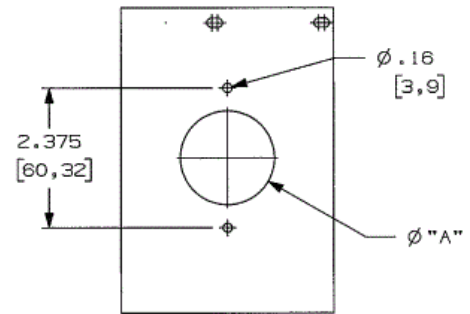
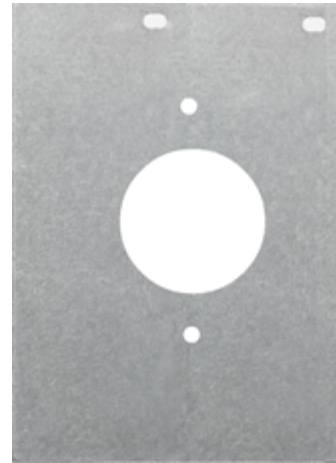
### Ordering Information

- Includes necessary mounting hardware

Catalog Number	UPC
FB10TLX	783585540863

### Specifications

Face Plate	16 gauge zinc plated stamped steel
------------	------------------------------------



### Online Resources

[Customer Use Drawing](#)  
[eCatalog](#)  
[Installation Instructions](#)

Dimensions in Inches (mm)

Hubbell Wiring Device-Kellems • Hubbell Incorporated (Delaware) • 40 Waterview Drive • Shelton, CT 06484

Phone (800) 288-6000 • Fax (800) 255-1031 • Specifications subject to change without notice.

