

Mounted Zone Cabling Enclosures and Brackets Wall Mounted Enclosure Accessory Replacement Lock and Keys

HUBBELL

Features

- For use with all Consolidation Point wall mounted enclosures

Ordering Information

Qty	Material	Catalog Number	UPC Number
1	Chromed Steel	FLOCK1	662620812243

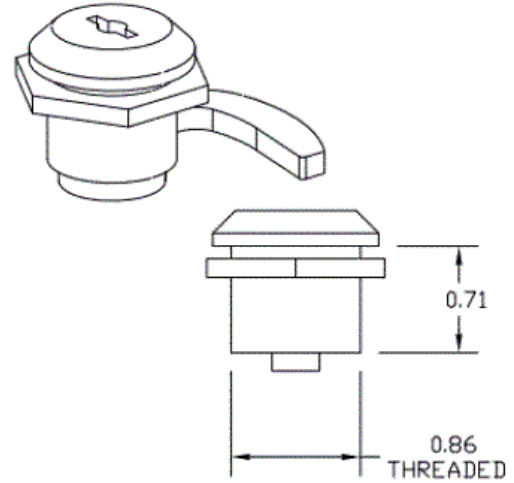


Specifications

Finish	Chrome steel
Replacement item	CPE-type enclosures

Characteristics

Installation	Consolidation Point Enclosure
--------------	-------------------------------



Accessories

Black Velcro Roll	HVFBK575
9" Velco Strips, Yellow	MCCMV9YL10

Online Resources

eCatalog

Dimensions in Inches (mm)

Hubbell Wiring Device-Kellems • Hubbell Incorporated (Delaware) • 40 Waterview Drive • Shelton, CT 06484

Phone (800) 288-6000 • Fax (800) 255-1031 • Specifications subject to change without notice.

