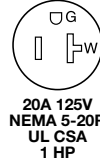


HUBBELLPRO Ground Fault Receptacle AUTOGUARD® Self Test GFCI 20A, Standard, 3 Pack

HUBBELL

Features

- Autoguard self-test technology with auto-monitor, power denial
- Flush, smooth profile and satin finish complement any décor



Ordering Information

| Description | Color | UPC Number | Catalog Number |
|---|-------|--------------|----------------|
| 20A, 125V, Style Line®, AUTOGUARD® self test GFCI receptacle, flush face, back and side wired, 3 pack | White | 883778451010 | GFT20W3 |

Listings

| | |
|---|--------------------------------------|
| UL Listed - Canadian and U.S. Meets ADA Standard Meets are NEC requirements | CSA Certified NEMA WD-6 Complaint |
|---|--------------------------------------|

Specifications

| | |
|-----------------|-------------------|
| Face | Nylon |
| Base | Nylon |
| Power Contacts | Brass |
| Ground Contacts | Brass |
| Mounting Strap | Galvanized Steel |
| Mounting Screw | Zinc Plated Steel |

Performance

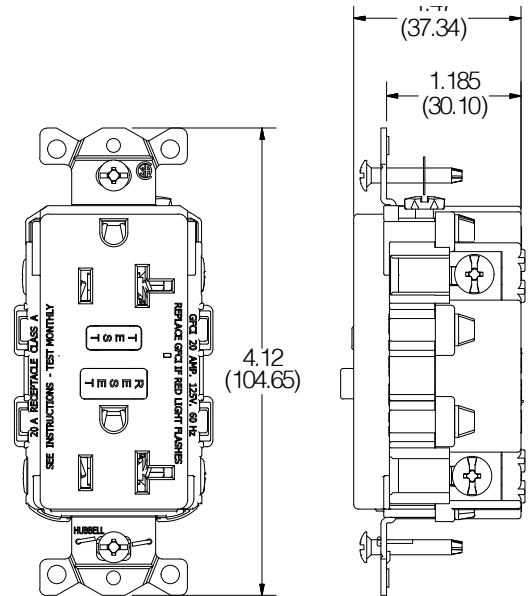
| Electrical | |
|-------------------------------|--|
| Amperage | 20A, 20A Feed Thru |
| Current Interrupting | Certified for current interrupting at full rated current |
| Dielectric Voltage | Withstands 1,500V minimum |
| Frequency | 60 Hz |
| Maximum Interrupting Capacity | 10,000A |
| Trip Level | 4 to 6 mA |
| Trip Time | 0.25 second nominal |
| Voltage | 120 AC +10% - 15% (102V to 132V) |

Mechanical

| | |
|-------------------------|--|
| Product Identification | Ratings are a permanent part of the device |
| Terminal Accommodation | #14 - 10 AWG copper stranded or solid conductor only |
| Terminal Identification | Terminals identified in accordance with UL 948 and CSA |

Environmental

| | |
|-----------------------|---------------------------------|
| Flammability | V2 per UL 94 |
| Operating Temperature | -35 C to 66 C or -30 F to 150 F |



Accessories

Wall plate not included

Links

Customer Drawings
 Instruction Installations
 Media