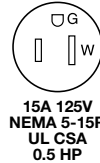


**Industrial Grade Extra Heavy Duty  
Ground Fault Receptacle  
AUTOGUARD Self Test GFCI  
15A, Hospital Grade  
Tamper-Resistant, Weather-Resistant**

**HUBBELL**

**Features**

- Heavy duty robust construction, high impact resistant polyester housing
- Corrosion Resistant: nickel-plated face contacts, mounting strap, line/load terminals and terminal clamps, stainless steel screws
- Patented auto monitor, power denial technology



**Ordering Information**

Description	Color	UPC Number	Catalog Number
15A, 125V, Style Line®, AUTOGUARD® self test GFCI receptacle, hospital grade, tamper-resistant and weather-resistant, flush face, back and side wired	Brown	783585581187	GF8200SG

**Listings**

UL Listed - Canadian and U.S. Meets ADA Standard Meets all NEC requirements	CSA Certified Fed Spec NEMA WD-6 Complaint
---	--

**Specifications**

Face	Natural (white) nylon	Ground Contacts	Nickel Plated Brass
Base	Clear polycarbonate	Mounting Strap	Nickel Plated Brass
Power Contacts	Nickel Plated Brass	Mounting Screw	Stainless Steel

**Performance**

**Electrical**

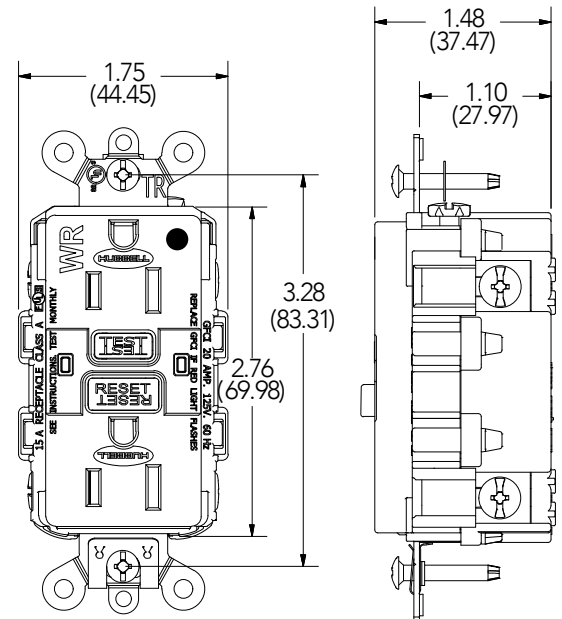
Amperage	15A	Flammability	V0 per UL 94
Feed-through	20 Amp Protection	Operating Temp	-35 C to 66 C
Voltage	120V AC (-15%, +10%)	Trip Level	4 mA to 6mA (0.025 sec)
Frequency	60 Hz	Short Circuit	10,000 Amps
Dielectric	Withstand 1,500V		

**Construction**

Termination	Back and Side	Power Indicator	Solid Green
Terminal	#14 to #10AWG	GF/Trip Indicator	Solid Red
Grounding	Autoground Clip	End of Life	Flashing Red
Printed Circuit Board	Conformal Coat		

**Certifications**

UL Listing	E41978 Fed Spec.	NEC/CEC	TR, WR Resistant
UL Std 498	Receptacle	CSA Listing	LR24886
UL Std 943	GFCI	CSA Std	C22.2 No. 42
UL Std 943	Dust Protection	CSA Tech	No. M-02A
UL 943	Corrosion Resistance		



**Accessories**

**Description**

- (1) Matching Nylon and
- (1) Stainless Wall Plate Included

**Links**

- Customer Drawings
- Instruction Installations
- Media

