

Features

- Patented AUTOGUARD® self test technology
- Internal back wiring clamp and guide for quick and secure termination
- Triple wipe construction

Ordering Information

| Description | Color | UPC | Catalog Number |
|----------------------------------------------------------------------------------------------------------------------------------|--------------|--------------|----------------|
| 20A, 125V, Style Line®, blank face, AUTOGUARD® self test GFCI receptacle, flush face, back and side wired, multiple drive screws | Light Almond | 883778122217 | GFBFST20LA |

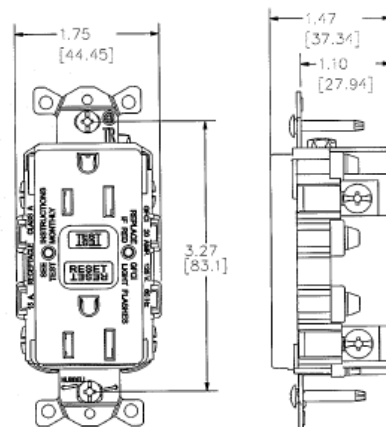


Listings

UL Listed - Canadian and U.S.
Meets ADA Standards
Meets all NEC® requirements
CSA Certified
NEMA® WD-6 Compliant

Specifications

| | |
|-----------------|-------------------|
| Face | Nylon |
| Base | Nylon |
| Power Contacts | Brass |
| Ground Contacts | Brass |
| Mounting Strap | Zinc plated steel |
| Mounting Screws | Zinc plated steel |



Online Resources

Customer Use Drawing
eCatalog
Installation Instructions