

## Ground Fault Products

### Portable GFCI Line Cords

## Multiple Outlet Portable GFCI and GFCI Module

### Features

- High impact UV stabilized housing for long life
- All-glass circuit board provides moisture immunity
- Watertight GFCI housing for use in harsh environments

### Ordering Information

Description	Rating	UPC Number	Catalog Number
GFCI module - UL type 3R rated, manual set, yellow	20A, 120V AC, 60 Hz	783585521008	GFM20

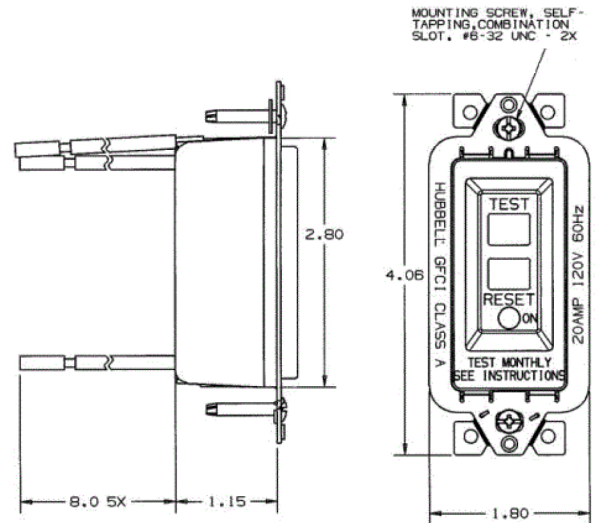
### Listings

UL Listed  
CSA Certified  
IP21 Suitability

### Specifications

Housing	PBT
Cover	PBT
Flap	PBT
Screws	Zinc plated steel

# HUBBELL



### Online Resources

[Customer Sales Drawings](#)  
[eCatalog](#)  
[Installation Instructions](#)

Dimensions in Inches (mm)

Hubbell Wiring Device-Kellems • Hubbell Incorporated (Delaware) • 40 Waterview Drive • Shelton, CT 06484

Phone (800) 288-6000 • Fax (800) 255-1031 • Specifications subject to change without notice.

