

# Ground Fault Products Circuit Guard® Plug-In Portable GFCI and GFCI Tester

## 15 Ampere, 120 Volts AC, 2 Pole, 3 Wire Grounding

# HUBBELL



### Ordering Information

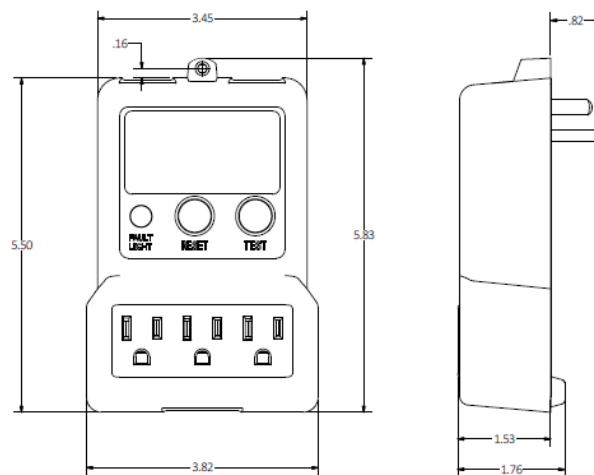
Description	Rating	UPC	Catalog Number
Circuit Guard® plug-in portable GFCI, three outlet plug-in	15A, 120V AC	783585829494	GFP315A

### Listings

UL Listed  
CSA Certified  
NEC® and CEC requirements

### Specifications

Covers	ABS
--------	-----



### Online Resources

[Customer Use Drawing](#)  
[eCatalog](#)  
[Installation Instructions](#)

Dimensions in Inches (mm)

Hubbell Wiring Device-Kellems • Hubbell Incorporated (Delaware) • 40 Waterview Drive • Shelton, CT 06484

Phone (800) 288-6000 • Fax (800) 255-1031 • Specifications subject to change without notice.

