

Ground Fault Products  
 Portable GFCI Line Cords  
 Commercial Grade, Automatic and Manual  
 Set

# HUBBELL

## Features

- High impact UV stabilized housing for long life
- All-glass circuit board provides moisture immunity
- Watertight GFCI housing for use in harsh environments



## Ordering Information

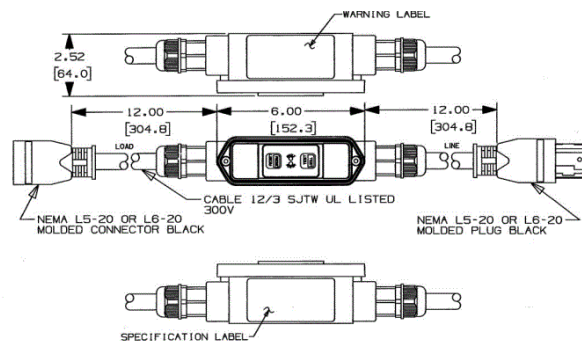
Description	Length	UPC	Catalog Number
20A GFCI in line GFCI, locking, automatic set, 20A 120V AC	2' (60.9 cm), L5-20 locking, 12/3 SJWT	783585692104	GFPI20125LKA

## Listings

UL Listed  
 CSA Certified

## Specifications

Housing	Polycarbonate
---------	---------------



## Online Resources

Customer Use Drawing  
 eCatalog  
 Installation Instructions