

Ground Fault Products  
 Portable GFCI Line Cords  
 Commercial Grade, Automatic and Manual  
 Set

# HUBBELL

## Features

- High impact UV stabilized housing for long life
- All-glass circuit board provides moisture immunity
- Watertight GFCI housing for use in harsh environments



## Ordering Information

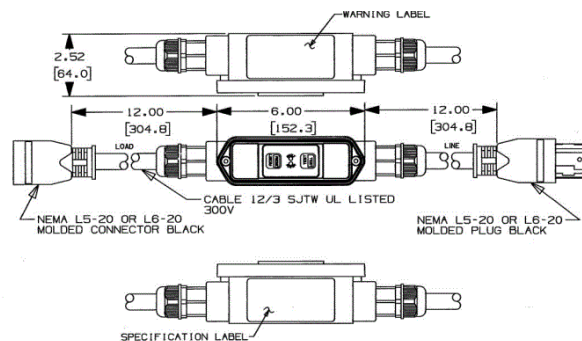
Description	Length	UPC	Catalog Number
20A GFCI In Line GFCI, Locking, automatic set, 20A 250V AC	2' (60.9 cm), L6-20 locking, 12/3 SJTW	783585692128	GFPI20250LKA

## Listings

UL Listed  
 CSA Certified

## Specifications

Housing	Polycarbonate
---------	---------------



## Online Resources

Customer Use Drawing  
 eCatalog  
 Installation Instructions

Dimensions in Inches (mm)

Hubbell Wiring Device-Kellems • Hubbell Incorporated (Delaware) • 40 Waterview Drive • Shelton, CT 06484

Phone (800) 288-6000 • Fax (800) 255-1031 • Specifications subject to change without notice.

