

Ground Fault Products  
 Straight Blade Portable GFCI Plugs  
 15 Ampere, 120 Volts AC, 2 Pole, 3 Wire  
 Grounding

# HUBBELL

## Features

- Industrial Grade Manual Set
- Self-test functionality per UL 943 requirement

## Ordering Information

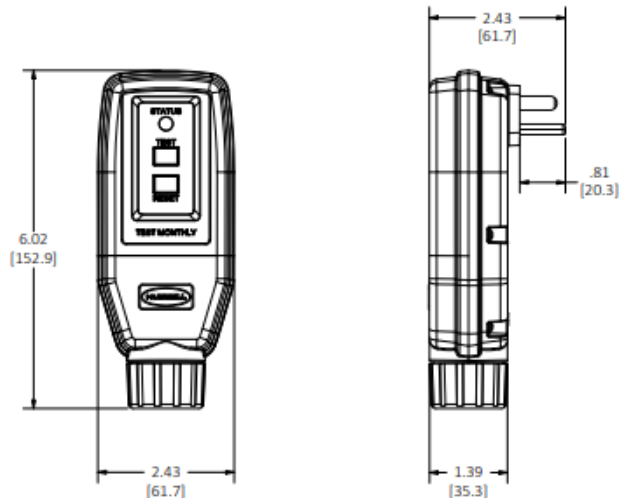
Description	Rating	UPC	Catalog Number
Circuit Guard® wired on industrial portable GFCI plug, manual set, yellow with connector body	2 pole, 3 wire grounding, 15A, 125V, NEMA 5-15P, NEMA 5-1R	783585703312	GFPST1C

## Listings

UL Listed  
 CSA Certified  
 NEC® and CEC requirements

## Specifications

Covers	PVC
Load Cord	PVC



## Online Resources

Customer Use Drawing  
 eCatalog  
 Installation Instructions

Dimensions in Inches (mm)

Hubbell Wiring Device-Kellems • Hubbell Incorporated (Delaware) • 40 Waterview Drive • Shelton, CT 06484

Phone (800) 288-6000 • Fax (800) 255-1031 • Specifications subject to change without notice.

