

Ground Fault Products
Portable GFCI Line Cords
Industrial Grade, Automatic Set

HUBBELL

Features

- Automatically sets the GFCI for use upon plug in and after the loss of primary power
- After a ground fault condition, unit must be reset by pushing the reset button
- Self-test functionality per UL 943 requirement

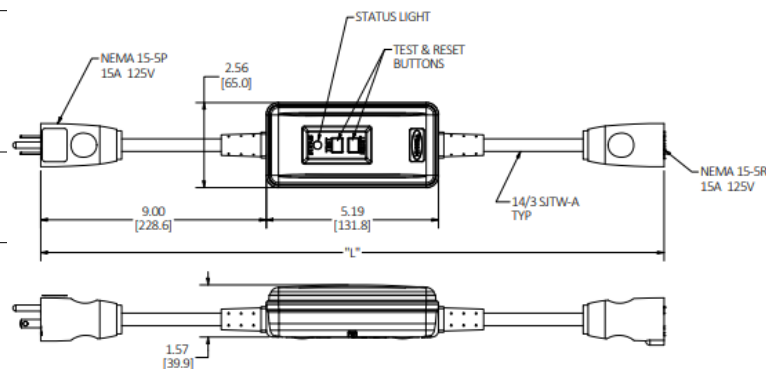


Ordering Information

Description	Length	UPC	Catalog Number
Circuit Guard® automatic set portable GFCI line cord, 15A 120V AC	18" (45.7 cm)	783585703329	GFPST4C15A

Listings

UL Listed
CSA Certified
IP21 Suitability



Specifications

Housing	PVC
Plug	PVC
Connector	PVC
Buttons	Rubber

Online Resources

[Customer Use Drawing](#)
[eCatalog](#)
[Installation Instructions](#)

Dimensions in Inches (mm)

Hubbell Wiring Device-Kellems • Hubbell Incorporated (Delaware) • 40 Waterview Drive • Shelton, CT 06484

Phone (800) 288-6000 • Fax (800) 255-1031 • Specifications subject to change without notice.

