

Ground Fault Products
Portable GFCI Line Cords
Industrial Grade, Manual Set

HUBBELL

Features

- Unit must be reset by pushing the reset button upon plug in and after loss of primary power
- After a ground fault condition, unit must be reset by pushing the reset button
- Ideal for applications where operator injury might occur if equipment were to restart after a power failure
- Self-test functionality per UL 943 requirement



Ordering Information

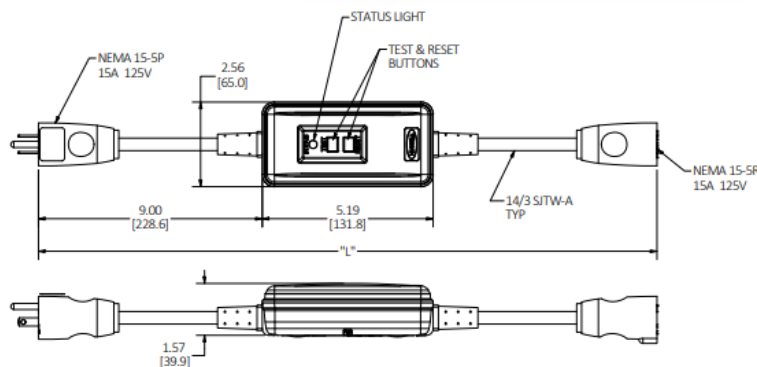
Description	Length	UPC	Catalog Number
Circuit Guard® manual set portable GFCI line cord, 15A 120V AC	18" (45.7 cm)	783585703336	GFPST4C15M

Listings

UL Listed
CSA Certified
IP21 Suitability

Specifications

Housing	PVC
Plug	PVC
Connector	PVC
Buttons	Rubber



Online Resources

[Customer Use Drawing](#)
[eCatalog](#)
[Installation Instructions](#)

Dimensions in Inches (mm)

Hubbell Wiring Device-Kellems • Hubbell Incorporated (Delaware) • 40 Waterview Drive • Shelton, CT 06484

Phone (800) 288-6000 • Fax (800) 255-1031 • Specifications subject to change without notice.

