

Ground Fault Products
 Portable GFCI Line Cords
 Industrial Grade, Automatic and Manual
 Set

HUBBELL

Features

- Automatically sets the GFCI for use upon plug in and after the loss of primary power
- After a ground fault condition, unit must be reset by pushing the reset button
- Self-test functionality per UL 943 requirement



Ordering Information

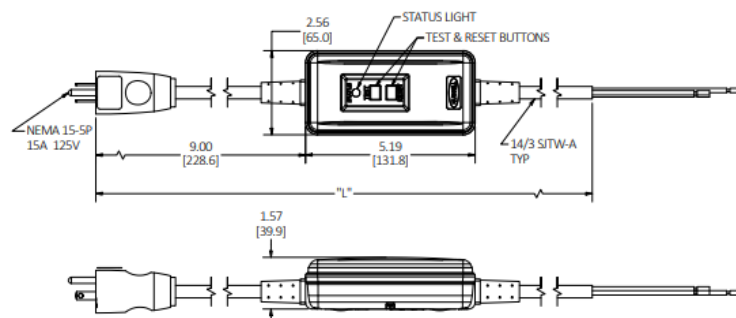
Description	Length	UPC	Catalog Number
Circuit Guard® automatic set portable GFCI line cord, 15A 120V AC	15' (457.2 cm) GFCI power supply cord with stripped leads	783585703381	GFPSTOEMA

Listings

UL Listed
 CSA Certified
 IP21 Suitability

Specifications

Covers	PVC
Load Cord	PVC



Online Resources

Customer Use Drawing
 eCatalog
 Installation Instructions

Dimensions in Inches (mm)

Hubbell Wiring Device-Kellems • Hubbell Incorporated (Delaware) • 40 Waterview Drive • Shelton, CT 06484

Phone (800) 288-6000 • Fax (800) 255-1031 • Specifications subject to change without notice.

