

Ground Fault Products  
 Extra Heavy Duty Industrial & Hospital Grade  
 GFCI Receptacles  
 Tamper-Resistant and Weather Resistant

# HUBBELL

## Features

- 10kA Short Circuit Current Rating
- Limits improper access to energized contacts
- Power indication
- Ground fault indicator
- No power at face if reverse wired

## Ordering Information

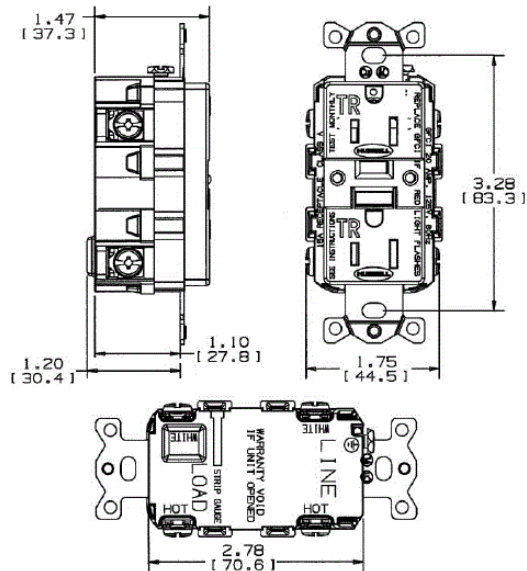
Description	Color	UPC	Catalog Number
15A, 125V, Style Line®, hospital grade AUTOGUARD® self test GFCI receptacle, tamper-resistant and weather resistant, flush face, back and side wired, multiple drive screws	Black	783585441160	GFR8200SGBK

## Listings

UL Listed - Canadian and U.S.  
 Meets ADA Standards  
 Meets all NEC® requirements  
 CSA Certified  
 Fed Spec  
 NEMA® WD-6 Compliant

## Specifications

Face	PBT
Base	PBT
Power Contacts	Brass
Ground Contacts	Brass
Mounting Strap	Brass
Mounting Screws	Zinc plated steel



## Online Resources

Customer Use Drawing  
 eCatalog  
 Installation Instructions

Dimensions in Inches (mm)

Hubbell Wiring Device-Kellems • Hubbell Incorporated (Delaware) • 40 Waterview Drive • Shelton, CT 06484

Phone (800) 288-6000 • Fax (800) 255-1031 • Specifications subject to change without notice.

