

Ground Fault Products
 Extra Heavy Duty Industrial & Hospital Grade
 GFCI Receptacles
 Tamper-Resistant and Weather Resistant

HUBBELL

Features

- 10kA Short Circuit Current Rating
- Limits improper access to energized contacts
- Power indication
- Ground fault indicator
- No power at face if reverse wired

Ordering Information

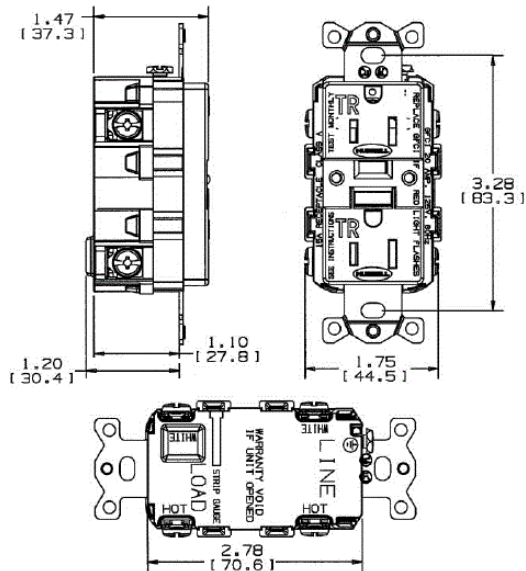
Description	Color	UPC	Catalog Number
15A, 125V, Style Line®, hospital grade AUTOGUARD® self test GFCI receptacle, tamper-resistant and weather resistant, flush face, back and side wired, multiple drive screws	White	783585441023	GFR8200SGW

Listings

UL Listed - Canadian and U.S.
 Meets ADA Standards
 Meets all NEC® requirements
 CSA Certified
 Fed Spec
 NEMA® WD-6 Compliant

Specifications

Face	PBT
Base	PBT
Power Contacts	Brass
Ground Contacts	Brass
Mounting Strap	Brass
Mounting Screws	Zinc plated steel



Online Resources

Customer Use Drawing
 eCatalog
 Installation Instructions

Dimensions in Inches (mm)

Hubbell Wiring Device-Kellems • Hubbell Incorporated (Delaware) • 40 Waterview Drive • Shelton, CT 06484

Phone (800) 288-6000 • Fax (800) 255-1031 • Specifications subject to change without notice.

