

HUBBELLPRO Ground Fault Receptacle AUTOGUARD® Self Test GFCI 20A, Tamper-Resistant, 3 Pack

HUBBELL

Features

- Autoguard self-test technology with auto-monitor, power denial
- Patented tamper-resistant mechanism designed specifically for residential applications provides ease of insertion
- Flush, smooth profile and satin finish complement any décor



20A 125V
NEMA 5-20R
UL CSA
1 HP



Ordering Information

Description	Color	UPC Number	Catalog Number
20A, 125V, Style Line®, AUTOGUARD® self test GFCI receptacle, tamper-resistant, flush face, back and side wired, 3 pack	Black	883778451171	GFT20BK3

Listings

UL Listed - Canadian and U.S. Meets ADA Standard Meets NEC requirements	CSA Certified NEMA WD-6 Complaint
---	--------------------------------------

Specifications

Face	Nylon
Base	Nylon
Power Contacts	Brass
Ground Contacts	Brass
Mounting Strap	Galvanized Steel
Mounting Screw	Zinc Plated Steel

Performance

Electrical

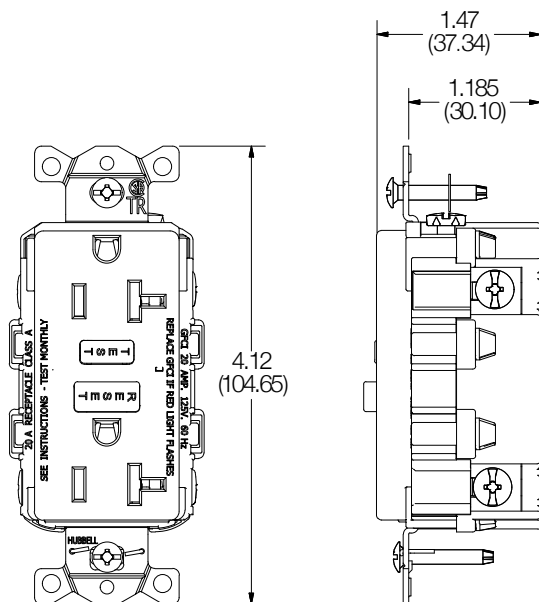
Amperage	20A, 20A Feed Thru
Current Interrupting	Certified for current interrupting at full rated current
Dielectric Voltage	Withstands 1,500V minimum
Frequency	60 Hz
Maximum Interrupting Capacity	10,000A
Trip Level	4 to 6 mA
Trip Time	0.25 second nominal
Voltage	120 AC +10% - 15% (102V to 132V)

Mechanical

Product Identification	Ratings are a permanent part of the device
Terminal Accommodation	#14 - 10 AWG copper stranded or solid conductor only
Terminal Identification	Terminals identified in accordance with UL 948 and CSA

Environmental

Flammability	V2 per UL 94
Operating Temperature	-35 C to 66 C or -30 F to 150 F



Accessories

Wall plate not included

Links

Customer Drawings
Instruction Installations
Media