

Ground Fault Products
Circuit Guard® Plug-In Portable GFCI and GFCI
Tester

15 Ampere, 120 Volts AC, 2 Pole, 3 Wire
Grounding

HUBBELL

Features

- Designed to measure the trip level of portable or “wired-in” GFCI’s in a range of 2-7mA. Leakage level can be adjusted from 2-7mA
- Ideal for measuring leakage level of GFCI breakers, GFCI portables and GFCI receptacles



Ordering Information

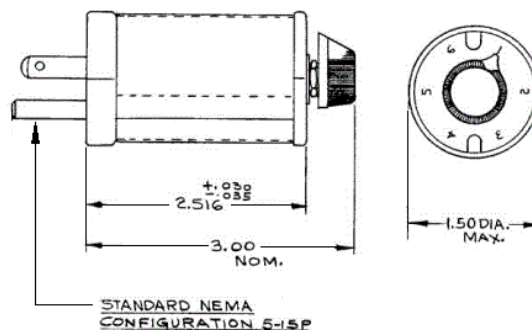
| Description | Rating | UPC | Catalog Number |
|---------------------|---------|--------------|----------------|
| Ground fault tester | 120V AC | 783585690421 | GFT2G |

Listings

UL Listed
CSA Certified
NEC® and CEC requirements

Specifications

| | |
|---------|---------------|
| Housing | Polycarbonate |
|---------|---------------|



Online Resources

Customer Use Drawing
eCatalog
Installation Instructions

Dimensions in Inches (mm)

Hubbell Wiring Device-Kellems • Hubbell Incorporated (Delaware) • 40 Waterview Drive • Shelton, CT 06484

Phone (800) 288-6000 • Fax (800) 255-1031 • Specifications subject to change without notice.

