

Kellems® Wire Management Products
Metallic Liquidtight Conduit Fittings
Conduit Fitting

HUBBELL

Features

- Hexagonal nut compresses gland-ring onto conduit
- Nylon gasket provides liquidtight seal at hub
- Non-integral steel ferrule seals conduit

Ordering Information

| Description | Trade Size | UPC | Catalog Number |
|-----------------------------------|------------|--------------|----------------|
| 45° Conduit Fitting, Insulated | 3/4" (21) | 783585035635 | H07541 |

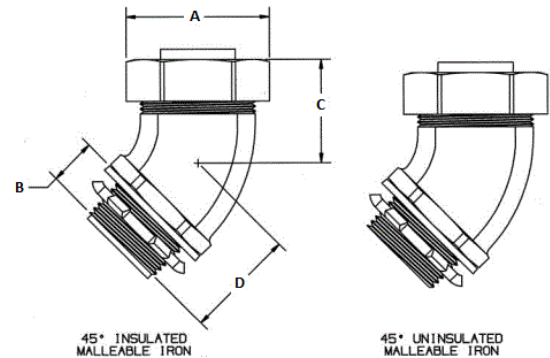


Listings

UL Listed
CSA Certified

Specifications

| | |
|-----------------|-------------------|
| Fitting | Zinc plated steel |
| Compression Nut | Zinc plated steel |
| Ferrule | Zinc plated steel |
| Split Seal Ring | Nylon |
| Washer | Nylon |
| Locknut | Zinc plated steel |
| Insulator | Nylon |



Performance

| Environmental | |
|-----------------------|------------------------------------|
| Operating Temperature | -60°F to +1000°F (-51°C to +538°C) |

Online Resources

Customer Use Drawing
eCatalog
Installation Instructions

Dimensions in Inches (mm)

Hubbell Wiring Device-Kellems • Hubbell Incorporated (Delaware) • 40 Waterview Drive • Shelton, CT 06484

Phone (800) 288-6000 • Fax (800) 255-1031 • Specifications subject to change without notice.

