

Kellems® Wire Management Products  
 Metallic Liquidtight Conduit Fittings  
 Conduit Fitting

# HUBBELL

## Features

- Hexagonal nut compresses gland-ring onto conduit
- Nylon gasket provides liquidtight seal at hub
- Non-integral steel ferrule seals conduit

## Ordering Information

Description	Trade Size	UPC	Catalog Number
45° Conduit Fitting, Non-Insulated	2" (53)	783585034485	H2004

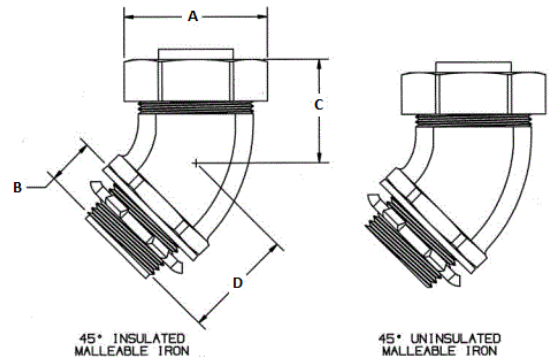


## Listings

UL Listed  
 CSA Certified

## Specifications

Fitting	Zinc plated iron
Compression Nut	Zinc plated iron
Ferrule	Zinc plated steel
Split Seal Ring	Nylon
Washer	Nylon
Locknut	Zinc plated steel



## Performance

### Environmental

Operating Temperature –60°F to +1000°F (–51°C to +538°C)

## Online Resources

Customer Use Drawing  
 eCatalog  
 Installation Instructions

Dimensions in Inches (mm)

Hubbell Wiring Device-Kellems • Hubbell Incorporated (Delaware) • 40 Waterview Drive • Shelton, CT 06484

Phone (800) 288-6000 • Fax (800) 255-1031 • Specifications subject to change without notice.

