

Stage Pin Devices

100A/125V Female Panel Mount, Double Set Screw

HUBBELL

Ordering Information

Description	Device Color	UPC Number	Catalog Number
Lightweight, Impact Resistant, Easy to Wire, ESTA Compliant 100A Stage Pin Devices	Black	783585578446	HBL100SPFR

Listings

cULus
UL Enc Type 1
ESTA Compliant

Specifications

Housing Material	PBT
Contact Material	Brass

Performance

Electrical

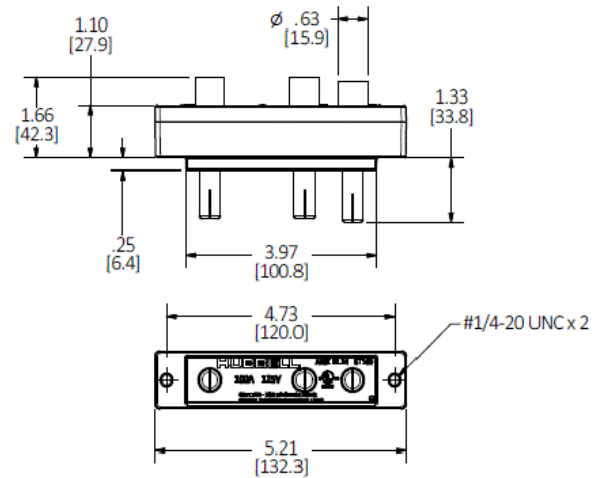
Amperage Rating	100A Maximum
Voltage Rating	125V Maximum

Mechanical

Wire Range	#2-#4 AWG THHN
------------	----------------

Environmental

Moisture Resistance	UL Enclosure Type 1
---------------------	---------------------



Single Cable Sets and Breakouts in One Device

Device	Cable Combination	Device	Cable Combination
60A/125V	(3) #6 SC	100A/125V	(2) #4 SC (1) #6 SC
	(6) #6 SC		(4) #4 SC (2) #6 SC
	(2) #4 SC (1) #6 SC		100A/250V (2) #2 SC (1) #6 SC
	#8/3 TYPE W		#6/3 AWG TYPE W
	#6/3 SOOW		#4/3 AWG TYPE W
	#4/3 TYPE W		

Online Resources

Customer Sales Drawing
eCatalog
Installation Instructions

Dimensions in Inches (mm)

Hubbell Wiring Device-Kellems • Hubbell Incorporated (Delaware) • 40 Waterview Drive • Shelton, CT 06484

Phone (800) 288-6000 • Fax (800) 255-1031 • Specifications subject to change without notice.

