

## Stage Pin Devices

### 100A/125V Male Panel Mount, Ring Terminal

# HUBBELL

## Ordering Information

Description	Device Color	UPC Number	Catalog Number
Lightweight, Impact Resistant, Easy to Wire, ESTA Compliant 100A Stage Pin Devices	Black	783585578460	HBL100SPMRRT

## Listings

cULus  
UL Enc Type 1  
ESTA Compliant

## Specifications

Housing Material	PBT
Contact Material	Brass

## Performance

### Electrical

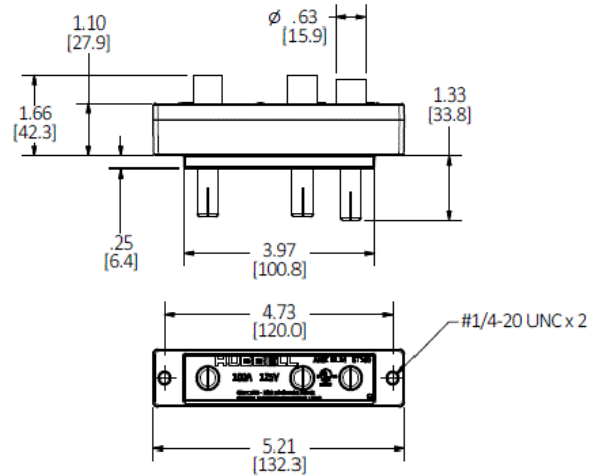
Amperage Rating	100A Maximum
Voltage Rating	125V Maximum

### Mechanical

Wire Range	#2-#4 AWG THHN
------------	----------------

### Environmental

Moisture Resistance	UL Enclosure Type 1
---------------------	---------------------



## Single Cable Sets and Breakouts in One Device

Device	Cable Combination	Device	Cable Combination	
60A/125V	(3) #6 SC	100A/125V	(2) #4 SC	
	(6) #6 SC		(1) #6 SC	
	(2) #4 SC		(4) #4 SC	
	(1) #6 SC		(2) #6 SC	
	#8/3 TYPE W		100A/250V	(2) #2 SC
	#6/3 SOOW		(1) #6 SC	
#4/3 TYPE W	(2) #2 SC	(1) #6 SC		
			#6/3 AWG TYPE W	
			#4/3 AWG TYPE W	

## Online Resources

Customer Sales Drawing  
eCatalog  
Installation Instructions

Dimensions in Inches (mm)

Hubbell Wiring Device-Kellems • Hubbell Incorporated (Delaware) • 40 Waterview Drive • Shelton, CT 06484

Phone (800) 288-6000 • Fax (800) 255-1031 • Specifications subject to change without notice.

