

Stage Pin Devices

100A/250V Female Inline, Double Set Screw

HUBBELL

Ordering Information

Description	Device Color	UPC Number	Catalog Number
Lightweight, Impact Resistant, Easy to Wire, ESTA Compliant 100A Stage Pin Devices	Yellow	783585578378	HBL106SPF

Listings

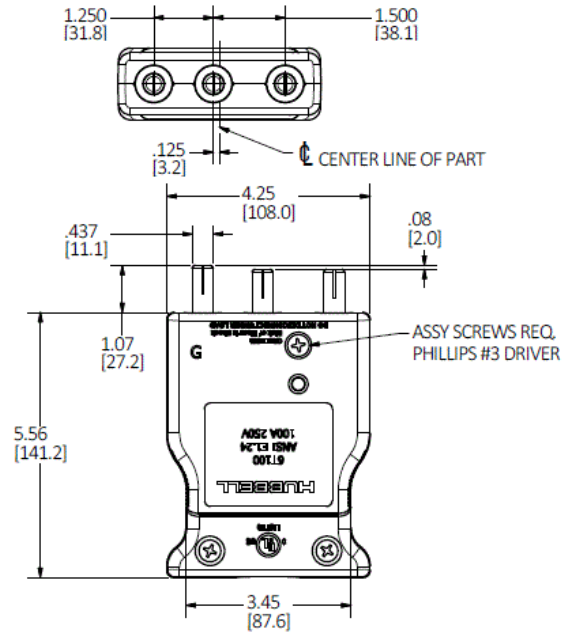
cULus
UL Enc Type 1
ESTA Compliant

Specifications

Housing Material	Super-Tough Nylon
Contact Material	Brass
Contact Sleeve Material	PBT

Performance

Electrical	
Amperage Rating	100A Maximum
Voltage Rating	250V Maximum
Mechanical	
Wire Range	#2-#4 Type SC, 6/3 Type W, 4/3 Type SOOW
Environmental	
Moisture Resistance	UL Enclosure Type 1



Single Cable Sets and Breakouts in One Device

Device	Cable Combination	Device	Cable Combination
60A/125V	(3) #6 SC	100A/125V	(2) #4 SC
	(6) #6 SC		(1) #6 SC
	(2) #4 SC		(4) #4 SC
	#8/3		(2) #6 SC
	#6/3		(1) #6 SC
	#4/3		TYPE W
100A/250V	(1) #6 SC	100A/250V	(2) #2 SC
	TYPE W		#6/3 AWG
	SOOW		TYPE W
	TYPE W		#4/3 AWG

Online Resources

Customer Sales Drawing
eCatalog
Installation Instructions

Dimensions in Inches (mm)

Hubbell Wiring Device-Kellems • Hubbell Incorporated (Delaware) • 40 Waterview Drive • Shelton, CT 06484

Phone (800) 288-6000 • Fax (800) 255-1031 • Specifications subject to change without notice.

