

Stage Pin Devices

100A/250V Male Inline, Double Set Screw

HUBBELL

Ordering Information

Description	Device Color	UPC Number	Catalog Number
Lightweight, Impact Resistant, Easy to Wire, ESTA Compliant 100A Stage Pin Devices	Yellow	783585578361	HBL106SPM

Listings

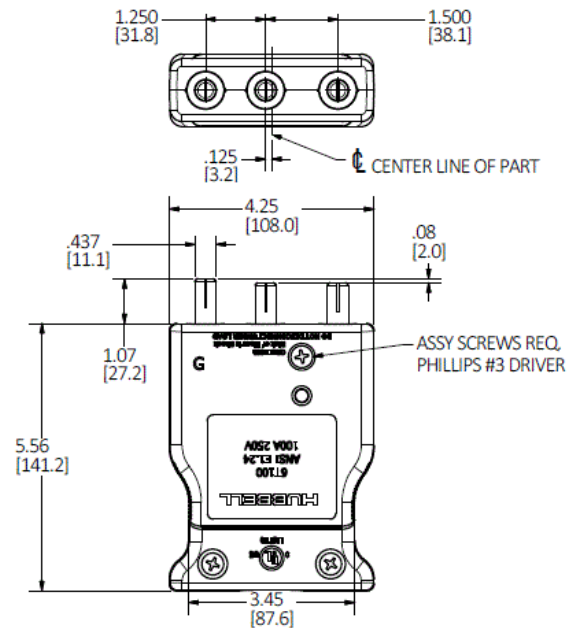
cULus
UL Enc Type 1
ESTA Compliant

Specifications

Housing Material	Super-Tough Nylon
Contact Material	Brass
Contact Sleeve Material	PBT

Performance

Electrical	Mechanical	Environmental
Amperage Rating	Wire Range	Moisture Resistance
100A Maximum	#2-#4 Type SC, 6/3 Type W, 4/3 Type SOOW	UL Enclosure Type 1
250V Maximum		



Single Cable Sets and Breakouts in One Device

Device	Cable Combination	Device	Cable Combination
60A/125V	(3) #6 SC	100A/125V	(2) #4 SC
	(6) #6 SC		(1) #6 SC
	(2) #4 SC		(4) #4 SC
	#8/3 TYPE W		(2) #6 SC
	#6/3 SOOW		(1) #6 SC
100A/250V	#4/3 TYPE W	(2) #2 SC	(1) #6 SC
		#6/3 AWG TYPE W	
		#4/3 AWG TYPE W	

Online Resources

Customer Sales Drawing
eCatalog
Installation Instructions

Dimensions in Inches (mm)

Hubbell Wiring Device-Kellems • Hubbell Incorporated (Delaware) • 40 Waterview Drive • Shelton, CT 06484

Phone (800) 288-6000 • Fax (800) 255-1031 • Specifications subject to change without notice.

