

Panel Mount Switches  
 10A 250V AC, 20A 125V AC  
 Heavy Duty Panel Mount Switch

# HUBBELL

## Features

- Nickel Plated for Corrosion Resistance

## Ordering Information

Description	Terminal	UPC	Catalog Number
Single pole/ single throw momentary	Screw	783585016689	HBL11M

## Listings

UL Listed

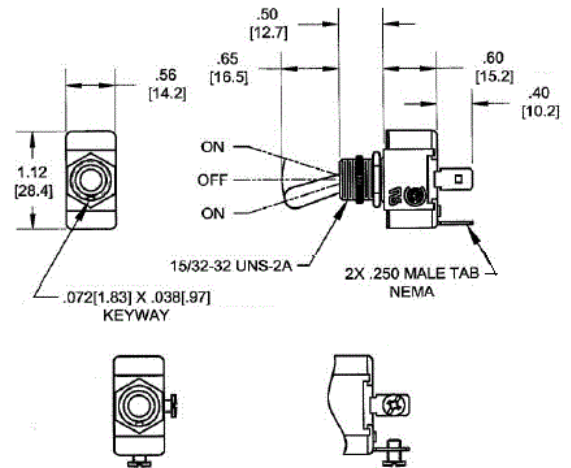
## Specifications

Body Material	Impact Resistant Thermoplastic Body
Contacts	Fine Silver
Strap Material	Nickel Plated
Bushing	Brass- Nickel Plated
Toggle	Brass- Nickel Plated

## Performance

### Environmental

Operating Temperatures Max Continuous- 75 °C, Minimum -40 °C Without Impact



CAT. NO.'S HBL11M ONLY

## Online Resources

Customer Use Drawing  
 eCatalog