

Panel Mount Switches
 4A 250V, 8A 125V, 10A 120V AC, 1/3 HP 120V
 AC

HUBBELL

Heavy Duty Panel Mount Switch

Features

- Nickel Plated for Corrosion Resistance

Ordering Information

Description	Terminal	UPC	Catalog Number
Single pole/ single throw	#18 Std. AWG Copper Wire	783585016696	HBL11PBWL



Listings

UL Listed

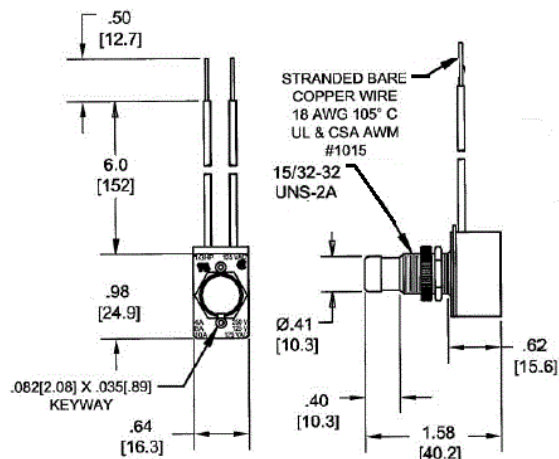
Specifications

Body Material	Impact Resistant Thermoplastic Body
Contacts	Fine Silver
Strap Material	Nickel Plated
Bushing	Brass- Nickel Plated
Toggle	Brass- Nickel Plated

Performance

Environmental

Operating Temperatures Max Continuous- 75 °C, Minimum -40 °C Without Impact



Online Resources

Customer Use Drawing
 eCatalog

Dimensions in Inches (mm)

Hubbell Wiring Device-Kellems • Hubbell Incorporated (Delaware) • 40 Waterview Drive • Shelton, CT 06484

Phone (800) 288-6000 • Fax (800) 255-1031 • Specifications subject to change without notice.

