

Panel Mount Switches
 10A 250V AC, 20A 125V AC
 Heavy Duty Panel Mount Switch

HUBBELL

Features

- Nickel Plated for Corrosion Resistance

Ordering Information

Description	Terminal	UPC	Catalog Number
Single pole/single throw bat handle switch	Screw	783585016672	HBL11



Listings

UL Listed

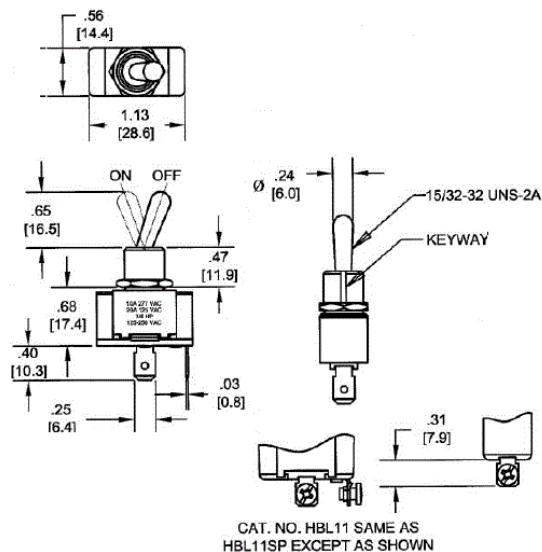
Specifications

Body Material	Impact Resistant Thermoplastic Body
Contacts	Fine Silver
Strap Material	Nickel Plated
Bushing	Brass- Nickel Plated
Toggle	Brass- Nickel Plated

Performance

Environmental

Operating Temperatures Max Continuous- 75 °C, Minimum -40 °C Without Impact



Online Resources

Customer Use Drawing
 eCatalog