

Switched Disconnects and Enclosures

Circuit-Lock® NEMA 1 Enclosures without Switch

HUBBELL

Features

- All aluminum cover and base
- Base is pre-drilled for rear surface mounting
- Top, bottom or back wire entry points
- Switch can be locked in the OFF position as a method of compliance with OSHA lockout/tagout

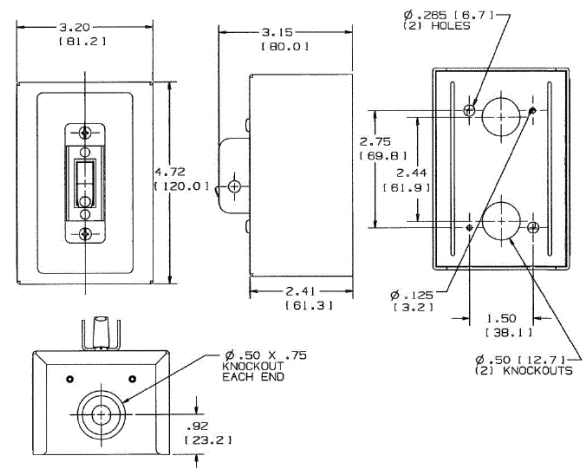


Ordering Information

Description	UPC Number	Catalog Number
For use with 30A switch, Aluminum	783585016986	HBL1370

Specifications

Cover Material	Aluminum
Base Material	Aluminum



Complementary Products

Controllers/Disconnects

HBL7832D; HBL7832DS;
HBL7832DX; HBL7810D;
HBL7810DS

Online Resources

Customer Use Drawing

eCatalog

Installation Instructions

Dimensions in Inches (mm)

Hubbell Wiring Device-Kellems • Hubbell Incorporated (Delaware) • 40 Waterview Drive • Shelton, CT 06484

Phone (800) 288-6000 • Fax (800) 255-1031 • Specifications subject to change without notice.

