

Switched Disconnects and Enclosures

MotorQuick® Disconnect Switches

Type 1 Non-Metallic Enclosure 30A 3 Pole 600V AC

Features

- Thermoplastic cover on Plated Steel Base
- Nema 1 Enclosure
- Pre-wired with LINKOSITY® Components
- Crush and Impact Resistance of MC cable

Ordering Information

Description	UPC Number	Catalog Number
HBL1389D with one pre-wired LINKOSITY® female receptacle (load side).	783585310909	HBL1389MQR

Listings

UL50B
IP67

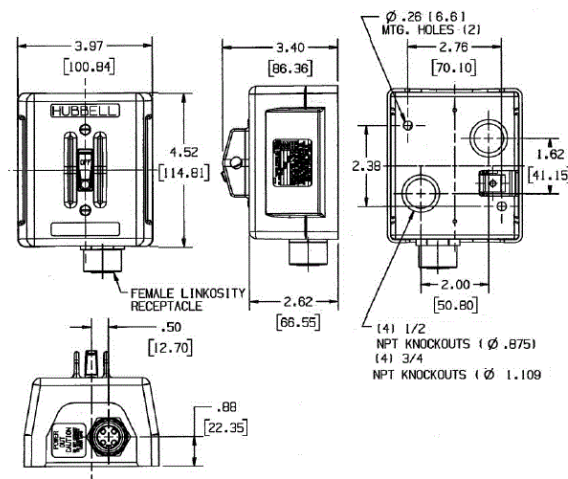
Specifications

Enclosure	Thermoplastic
Contact Materials	Pins - brass; Sockets - leaded nickel copper w/ stainless steel sleeve
Cable (16 AWG and Up)	UL 600V Type TC-ER, MTW 90°C or ST00W 600V 105°C

Performance

Electrical	
Dielectric Voltage	2,200V AC minimum for 1 minute
Electrical Life	6,000 cycles with load
Max. Working Voltage	600V AC RMS
Short Circuit Current Ratings (SCCR): (Motor Disconnect)	10,000 RMS symmetrical amps when tested with 60A max J fuses.
Mechanical	
Mechanical Life	10,000 minimum cycles
Terminal Accommodations	#14 AWG - #10 AWG
Environmental	
Flammability	UL94HB/V-0
Operating Temperature	Max. Continuous: 60°C; Min. Continuous: -40°C without impact

HUBBELL



Complementary Products

3P 4W LINKOSITY® male receptacle RM3004PA001
3P 4W LINKOSITY® female receptacle RF3004PA001

Cord connector SHC1037CR
Lock-on cover PH2030C

Online Resources

Customer Use Drawing
eCatalog
Installation Instructions

Dimensions in Inches (mm)

Hubbell Wiring Device-Kellems • Hubbell Incorporated (Delaware) • 40 Waterview Drive • Shelton, CT 06484

Phone (800) 288-6000 • Fax (800) 255-1031 • Specifications subject to change without notice.

