

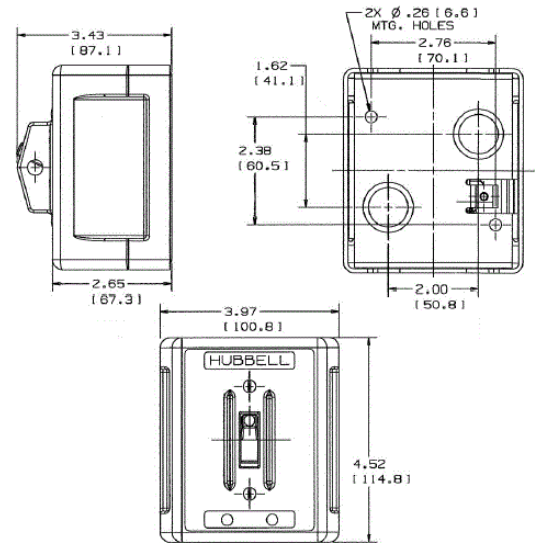
Features

- Thermoplastic cover on a plated steel base
- Durable, non-conductive cover
- Surface mount control
- Switch can be locked in the OFF position as a method of compliance with OSHA lockout/tagout



Ordering Information

Description	UPC Number	Catalog Number
For use with 30A switch, Thermoplastic	783585017020	HBL1390



Specifications

Cover Material	Thermoplastic
Base Material	Steel

Complementary Products

Controllers/Disconnects	HBL7832D; HBL7832DS; HBL7832DX; HBL7810D; HBL7810DS
-------------------------	---

Online Resources

- Customer Use Drawing
- eCatalog
- Installation Instructions