

## Switched Disconnects and Enclosures

### Circuit-Lock<sup>®</sup> NEMA 3R Enclosures with Switch, 30A 2-Pole

# HUBBELL

#### Features

- All aluminum cover and base
- Metal Type 3R enclosure
- Ideal for use on outdoor equipment
- Surface mount control

#### Ordering Information

Description	UPC Number	Catalog Number
HBL7832D in HBL13R90 metal Type 3R enclosure, Ideal for use in outdoor environments	783585680989	HBL13R92

#### Listings

UL 508  
CSA-C22.2 No.14

#### Specifications

Enclosure Material	Aluminum
--------------------	----------

#### Performance

##### Electrical

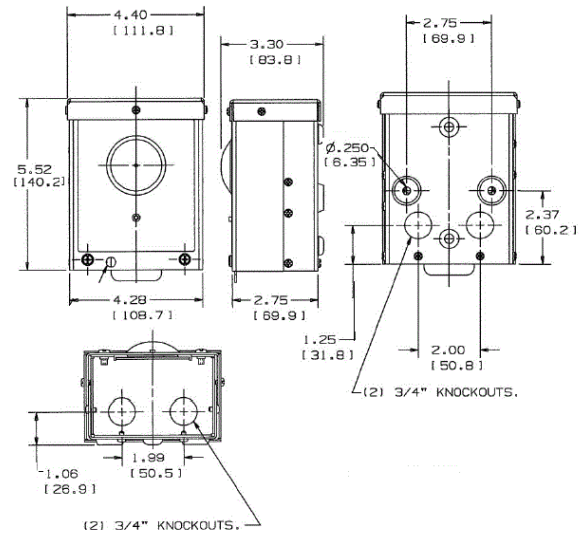
Dielectric Voltage	2,200V AC minimum for 1 minute
Electrical Life	Min. 6,000 Cycles at rated switch load
Max. Working Voltage	600V AC RMS
Short Circuit Current Ratings (SCCR): (Motor Disconnect)	60A max. when protected by J fuses

##### Mechanical

Mechanical Life	10,000 minimum cycles
Terminal Accommodations	#10 AWG Max.
Wire Type	Solid and stranded copper wire only

##### Environmental

Flammability	UL94HB/VO
Operating Temperature	Max. Continuous: 75°C; Min. Continuous: -40°C without impact



#### Online Resources

Customer Use Drawing  
eCatalog  
Installation Instructions

Dimensions in Inches (mm)

Hubbell Wiring Device-Kellems • Hubbell Incorporated (Delaware) • 40 Waterview Drive • Shelton, CT 06484

Phone (800) 288-6000 • Fax (800) 255-1031 • Specifications subject to change without notice.

