

## Switched Disconnects and Enclosures

### NEMA 4X Disconnect Switches

## Circuit-Lock<sup>®</sup> NEMA 4X Enclosures with Switch

# HUBBELL

### Features

- 304 Stainless steel enclosure chemical and corrosion resistant
- PBT handle and collar chemical and impact resistant
- Un-drilled case allows custom placement of wire entry
- Switch can be locked in the OFF position as a method of compliance with OSHA lockout/tagout
- Hinged cover with removable continuous pin

### Ordering Information

Description	UPC Number	Catalog Number
30A, 600V, three pole, rotary controller in NEMA 4X stainless steel enclosure; ideal for use in environments where wash-down is necessary, i.e. food processing, laboratories, etc.	783585202723	HBL13S33D

### Listings

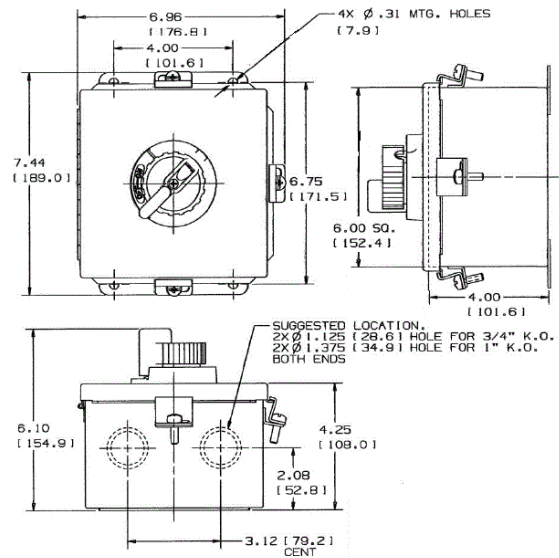
UL 508  
CSA-C22.2 No.14

### Specifications

Enclosure Material	Stainless Steel
--------------------	-----------------

### Performance

Electrical	
Electrical Life	Min. 6,000 Cycles at rated switch load
Max. Working Voltage	600V AC 600V AC RMS
Mechanical	
Mechanical Life	10,000 minimum cycles
Terminal Accommodations	#10 AWG Max.
Terminal Torque Switch Rating	20 inch pounds
Wire Type	Solid and stranded copper wire only
Environmental	
Flammability	UL94HB/VO
Operating Temperature	Max. Continuous: 75°C; Min. Continuous: -40°C without impact



### Complementary Products

Finger Guards	HBLFG30
Auxiliary Contact	HBLAUX

### Online Resources

Customer Use Drawing  
eCatalog  
Installation Instructions

Dimensions in Inches (mm)

Hubbell Wiring Device-Kellems • Hubbell Incorporated (Delaware) • 40 Waterview Drive • Shelton, CT 06484

Phone (800) 288-6000 • Fax (800) 255-1031 • Specifications subject to change without notice.

