

## Switches, Single Pole, Double Throw

15A, 120-277V AC

# HBL<sup>®</sup> Extra Heavy Duty Industrial Switch

# HUBBELL

### Features

- Large brass binding head screws with deep slots
- Requires key to actuate the switch
- Strip gauge for accurate wiring

### Ordering Information

Description	Toggle Color	UPC Number	Catalog Number
Momentary Contact, Key guide, Two Circuit, Center Off, Back and Side Wired, Locking	White	783585188706	HBL1556LW



### Listings

UL Listed  
CSA Certified  
Fed. Spec. W-S-896

### Specifications

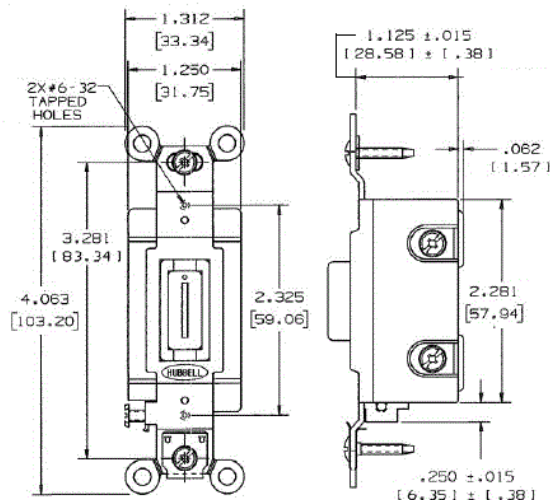
Top Material	Thermoplastic
Base Material	Thermoset, Blue
Key Guide	Metallic, White
Contacts	Silver Alloy
Terminal Screws	Brass
Ground Screw	Brass (Green)

### Performance

Electrical	
Dielectric Voltage	Withstands 1500V AC minimum for 1 minute
Max. Continuous Current	15A
Max. Working Voltage	277V AC
Overload	Minimum 4.8 times rated current for 100 cycles
Temperature Rise	30°C maximum at rated current

Mechanical	
Terminal Accommodations	#14 AWG min. - #10 AWG max. Solid and stranded copper wire only

Environmental	
Flammability	UL 94V-2
Operating Temperature	Max. continuous: 75°C; Min. continuous: -40°C without impact



### Complementary Products

Nylon Wall Plate	NP1W
Stainless Steel Wall Plate	SS1
Replacement Key	HBL1209

### Online Resources

Customer Use Drawing  
eCatalog  
Installation Instructions

Dimensions in Inches (mm)

Hubbell Wiring Device-Kellems • Hubbell Incorporated (Delaware) • 40 Waterview Drive • Shelton, CT 06484

Phone (800) 288-6000 • Fax (800) 255-1031 • Specifications subject to change without notice.

