

Single Pole Devices and Temporary Power  
Series 15 - 150 Ampere, 600V AC/DC  
Replacement Bodies

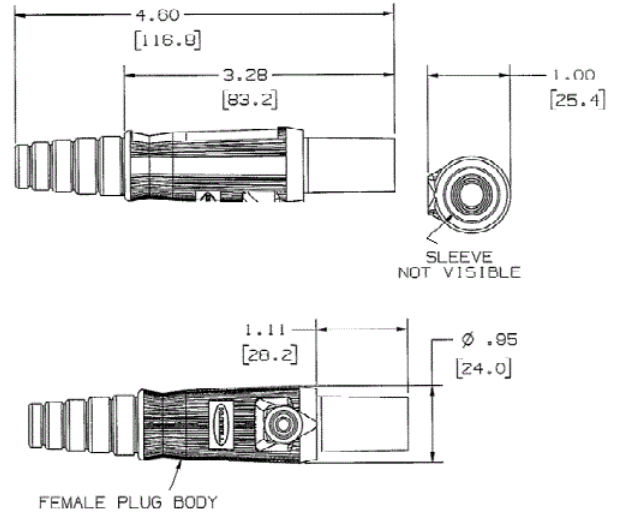
# HUBBELL

## Ordering Information

Description	Device Color	UPC Number	Catalog Number
25 Pack Replacement Bodies for 150A devices	Blue	783585458823	HBL15FBBL

## Listings

UL and cUL Listed  
UL Enclosure Types 3R, 4X, 12  
National Electric Code (NEC), ANSI/NFPA 70



## Online Resources

[Customer Sales Drawings](#)  
[eCatalog](#)  
[Installation Instructions](#)

Dimensions in Inches (mm)

Hubbell Wiring Device-Kellems • Hubbell Incorporated (Delaware) • 40 Waterview Drive • Shelton, CT 06484

Phone (800) 288-6000 • Fax (800) 255-1031 • Specifications subject to change without notice.

