

Single Pole Devices and Temporary Power
Series 15 - 150 Ampere, 600V AC/DC
Replacement Bodies

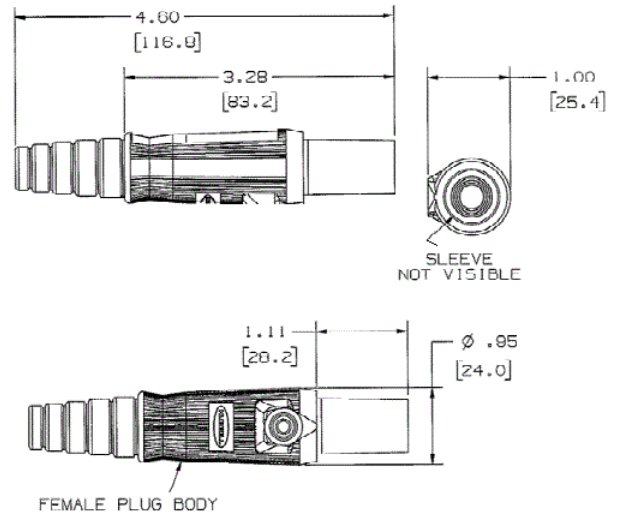
HUBBELL

Ordering Information

| Description | Device Color | UPC Number | Catalog Number |
|---|--------------|--------------|----------------|
| 25 Pack Replacement Bodies for 150A devices | Red | 783585458847 | HBL15FBR |

Listings

UL and cUL Listed
UL Enclosure Types 3R, 4X, 12
National Electric Code (NEC), ANSI/NFPA 70



Online Resources

[Customer Sales Drawings](#)
[eCatalog](#)
[Installation Instructions](#)

Dimensions in Inches (mm)

Hubbell Wiring Device-Kellems • Hubbell Incorporated (Delaware) • 40 Waterview Drive • Shelton, CT 06484

Phone (800) 288-6000 • Fax (800) 255-1031 • Specifications subject to change without notice.

